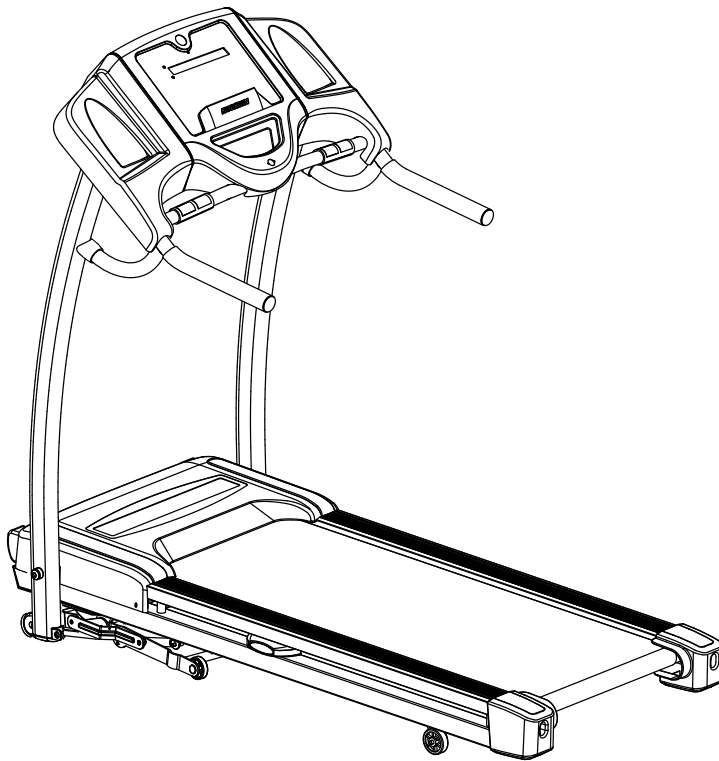


**LIMITED SERIES**



**FOR MODEL :**

**LS780T**



**TREADMILL USER'S GUIDE**

# INTRODUCTION

**CONGRATULATIONS** and **THANK YOU** for your purchase of this Limited Series treadmill!

Whether your goal is to win races or simply enjoy a fuller, healthier lifestyle, a Limited Series treadmill can help you attain it – adding club-quality performance to your at-home workouts, with the ergonomics and innovative features you need to get stronger and healthier, faster. Because we're committed to designing fitness equipment from the inside out, we use only the highest quality components. It's a commitment we back with one of the strongest frame-to-motor warranty packages in the industry.

You want exercise equipment that offers the most comfort, the best reliability and the highest quality in its class.

**The Horizon Limited Series delivers.**

## TABLE OF CONTENTS

<i>Important Precautions</i>	<i>4</i>
<i>Assembly</i>	<i>6</i>
<i>Before You Begin</i>	<i>14</i>
<i>Treadmill Operation</i>	<i>17</i>
<i>Conditioning Guidelines</i>	<i>22</i>
<i>Troubleshooting &amp; Maintenance</i>	<i>27</i>
<i>Limited Warranty</i>	<i>30</i>
<b>CONTACT INFORMATION</b>	<i>Back Panel</i>

## IMPORTANT PRECAUTIONS

### SAVE THESE INSTRUCTIONS

Read all instructions before using this treadmill. When using an electrical product, basic precautions should always be followed, including the following: Read all instructions before using this treadmill. It is the responsibility of the owner to ensure that all users of this treadmill are adequately informed of all warnings and precautions. If you have any questions after reading this manual, contact Customer Tech Support at the number listed on the back panel of this manual.



Connect this exercise product to a properly grounded outlet only. See grounding instructions.

### GROUNDING INSTRUCTIONS

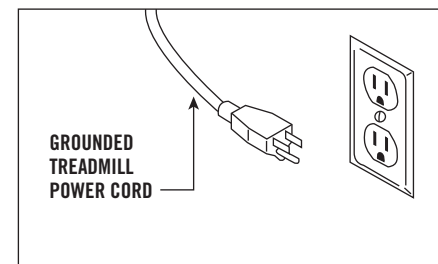
This product must be grounded. If a treadmill should malfunction or breakdown, grounding provides a path of least resistance for electrical current to reduce the risk of electrical shock. This product is equipped with a cord having an equipment-grounding conductor and a grounding plug. The plug must be plugged into an appropriate outlet that is properly installed and grounded in accordance with local codes and ordinances.



Improper connection of the equipment-grounding conductor can result in a risk of electric shock. Check with a qualified electrician or serviceman if you are in doubt as to whether the product is properly grounded. Do not modify the plug provided with the product. If it will not fit the outlet, have a proper outlet installed by a qualified electrician.

This product is for use on a nominal 110-volt circuit and has a grounding plug that looks like the illustration below. This product must be used on a dedicated circuit. To determine if you are on a dedicated circuit, shut off the power to that circuit and observe if any other devices lose power. If so, move devices to a different circuit. **Note:** There are usually multiple outlets on one circuit. It is recommended that the treadmill be used with a 20 amp circuit for optimal performance.

3-Pole Grounded Outlet



To reduce the risk of burns, fire, electrical shock or injury to persons:

- Never use the treadmill before securing the safety tether clip to your clothing.
- If you experience any kind of pain, including but not limited to chest pains, nausea, dizziness, or shortness of breath, stop exercising immediately and consult your physician before continuing.
- Do not wear clothes that might catch on any part of the treadmill.
- Always wear athletic shoes while using this equipment.
- Do not jump on the treadmill.
- Keep power cord away from heated surfaces.
- Do not insert or drop any object into any opening.
- Unplug treadmill before moving or cleaning it. To clean, wipe surfaces down with soap and slightly damp cloth only; never use solvents. (See MAINTENANCE)
- At no time should more than one person be on treadmill while in operation.
- The treadmill should not be used by persons weighing more than 275 pounds. Failure to comply will void the warranty.
- The treadmill is intended for in-home single family use only. Do not use this treadmill in any commercial, rental, school or institutional setting. Failure to comply will void the warranty.
- Do not use treadmill in any location that is not temperature controlled, such as but not limited to garages, porches, pool rooms, bathrooms, car ports or outdoors. Failure to comply may void the warranty.
- Use the treadmill only as described in this manual.



At NO time should pets or children under the age of 12 be closer to the treadmill than 10 feet.  
At NO time should children under the age of 12 use the treadmill.  
Children over the age of 12 should not use the treadmill without adult supervision.

### OTHER SAFETY TIPS FOR YOUR TREADMILL



#### OPERATION

To reduce the risk of damaging important components on your treadmill, it is strongly recommended that your treadmill is plugged into a dedicated 20 amp circuit, without the use of an additional extension cord and/or power strip. Failure to comply may void the warranty.

**IMPORTANT:** The treadmill is not compatible with GFCI-equipped outlets.

It is essential that your treadmill is used only indoors, in a climate controlled room. If your treadmill has been exposed to colder temperatures or high moisture climates, it is strongly recommended that the treadmill is warmed up to room temperature before first time use. Failure to do so may cause premature electronic failure.

# ASSEMBLY

## IMPORTANT: READ THESE SAFETY INSTRUCTIONS BEFORE USE!



During the assembly process of the treadmill there are several areas that special attention must be paid. It is very important to follow the assembly instructions correctly and to make sure all parts are firmly tightened. If the assembly instructions are not followed correctly, the treadmill could have frame parts that are not tightened and will seem loose and may cause irritating noises. There should be no side-to-side play in the console masts or any forward and back play in the console assembly or handlebars. If there is any play in these areas, the treadmill has not been properly assembled. To prevent damage to the treadmill, the assembly instructions must be reviewed and corrective actions should be taken.

## UNPACKING

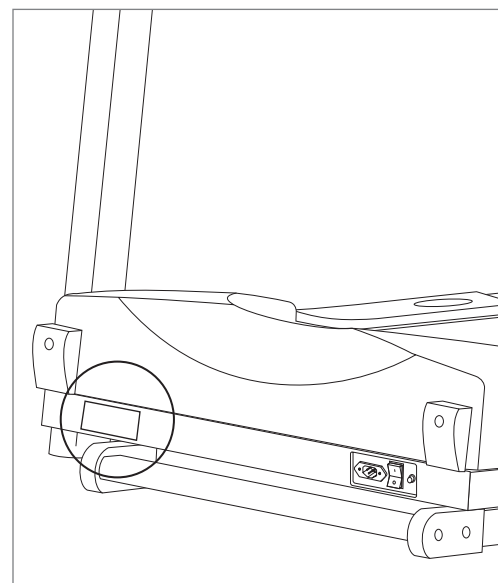
Place the treadmill carton on a level flat surface. It is recommended that you place a protective covering on your floor. Take CAUTION when handling and transporting this unit. Never open box when it is on its side. Once the banding straps have been removed, do not lift or transport this unit unless it is fully assembled and in the upright folded position, with the lock latch secure. Unpack the unit where it will be used. The enclosed treadmill is equipped with high-pressure shocks and may spring open if mishandled. Never grab hold of any portion of the incline frame and attempt to lift or move the treadmill. FAILURE TO FOLLOW THESE INSTRUCTIONS COULD RESULT IN INJURY!

Before proceeding, find your treadmill's serial number and model name located to the left of the on/off power switch and power cord and enter it in the space provided below.

### ENTER YOUR SERIAL NUMBER AND MODEL NAME IN THE BOXES BELOW:

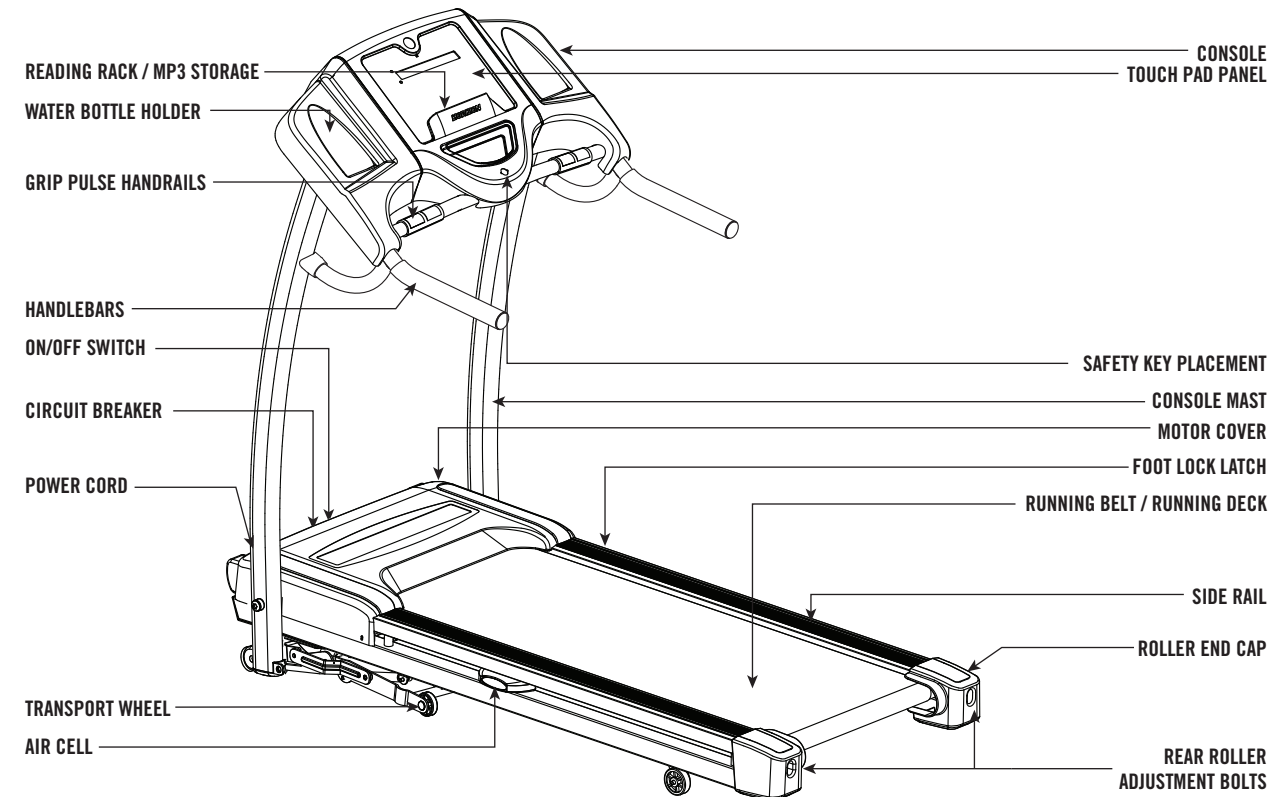
SERIAL NUMBER:

MODEL NAME:



\* Refer to the SERIAL NUMBER and MODEL NAME when calling for service.

\* Also enter this serial number on your Warranty Card.



## TOOLS INCLUDED

- 5 mm T-wrench
- 6 mm T-wrench
- 10 mm L-wrench

## PARTS INCLUDED

- 1 Safety Key
- 1 Console Assembly (located under treadmill deck)
- 1 Power Cord
- 4 Hardware Bags
- 2 Handlebars
- 2 Console Masts
- 1 Bottle of Silicone Lubricant

If you have questions or if there are any missing parts, contact Customer Tech Support. Contact information is located on the back panel of this manual.

For a complete exploded diagram, visit us at [www.horizonfitness.com](http://www.horizonfitness.com)

## PRE-ASSEMBLY

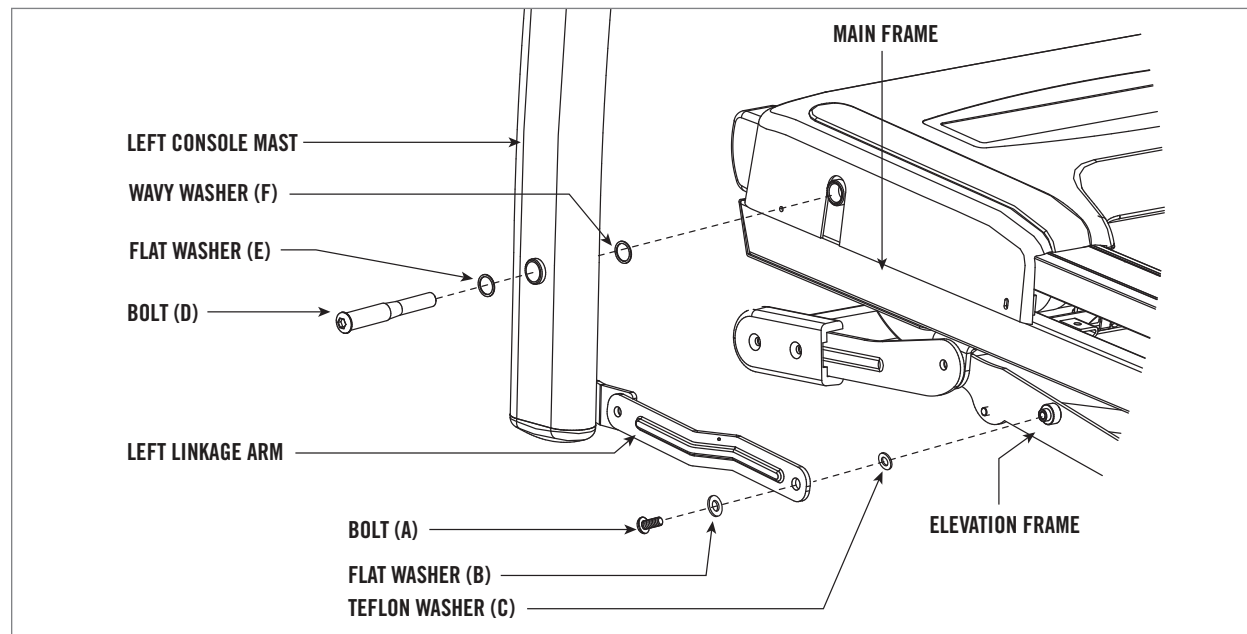
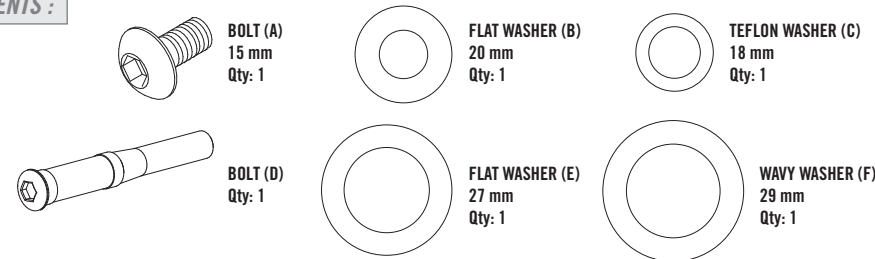


**DO NOT ATTEMPT TO LIFT THE TREADMILL!** Do not move or lift treadmill from packaging until specified to do so in the assembly instructions. Failure to do so may result in injury! Remove plastic wrap from console masts.

**NOTE:** During each assembly step, ensure that ALL nuts and bolts are in place and partially threaded in before completely tightening any ONE bolt. NOTE: A light application of grease may aid in the installation of hardware. Any grease, such as lithium bike grease is recommended.

## ASSEMBLY STEP 1

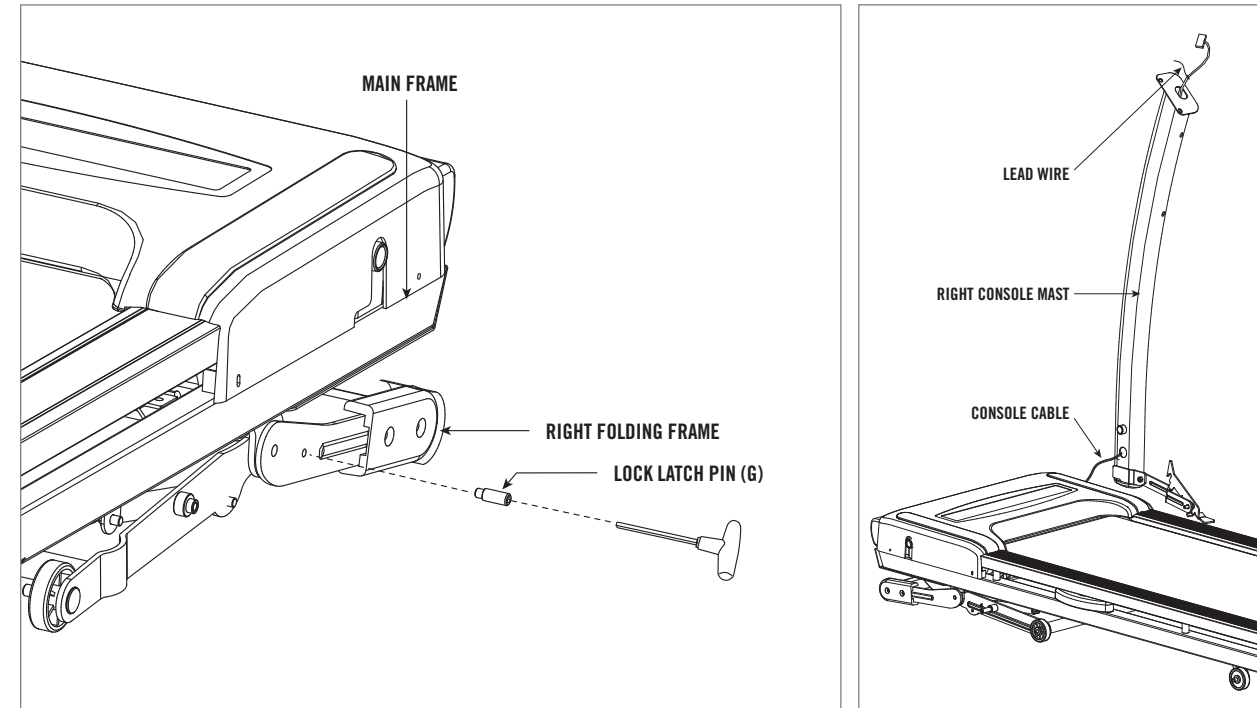
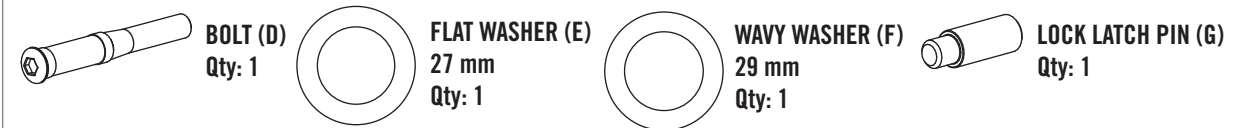
## HARDWARE BAG 1 CONTENTS :



- A** Open **HARDWARE BAG 1**.
- B** Cut banding straps. Do not move or lift treadmill from packaging.
- C** Move **LEFT LINKAGE ARM** into position. Insert 1 **BOLT (A)** and 1 **FLAT WASHER (B)** into **LEFT LINKAGE ARM** followed by 1 **TEFLON WASHER (C)** and attach to **ELEVATION FRAME**.
- D** Lift **LEFT CONSOLE MAST** into upright position. Be sure to hold the console mast firmly, as it will not stay in the upright position on its own.
- E** Insert 1 **BOLT (D)** and 1 **FLAT WASHER (E)** through **LEFT CONSOLE MAST** followed by 1 **WAVY WASHER (F)** and attach to **MAIN FRAME**.

## ASSEMBLY STEP 2

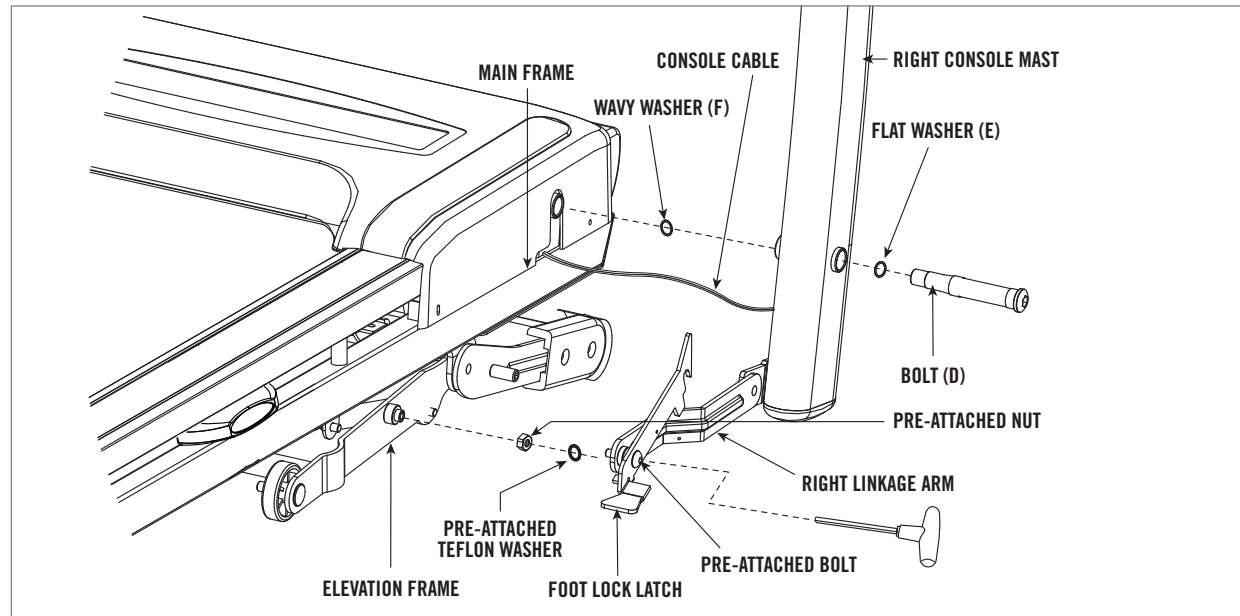
## HARDWARE BAG 2 CONTENTS :



- A** Open **HARDWARE BAG 2**.
- B** Attach **LOCK LATCH PIN (G)** into **RIGHT FOLDING FRAME** using T-wrench and tighten completely.
- C** Pull **LEAD WIRE** through **RIGHT CONSOLE MAST**. After pulling the **LEAD WIRE** through the mast, the top of the **CONSOLE CABLE** should be located at the top of the mast. Detach and discard **LEAD WIRE**.
- D** Continue **STEP 2** on next page.

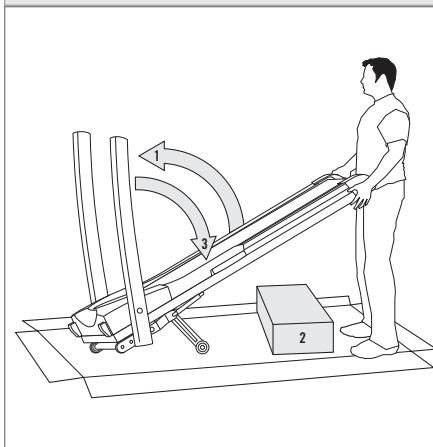
## ASSEMBLY STEP 2 (CONTINUED)

## HARDWARE BAG 2 CONTENTS:



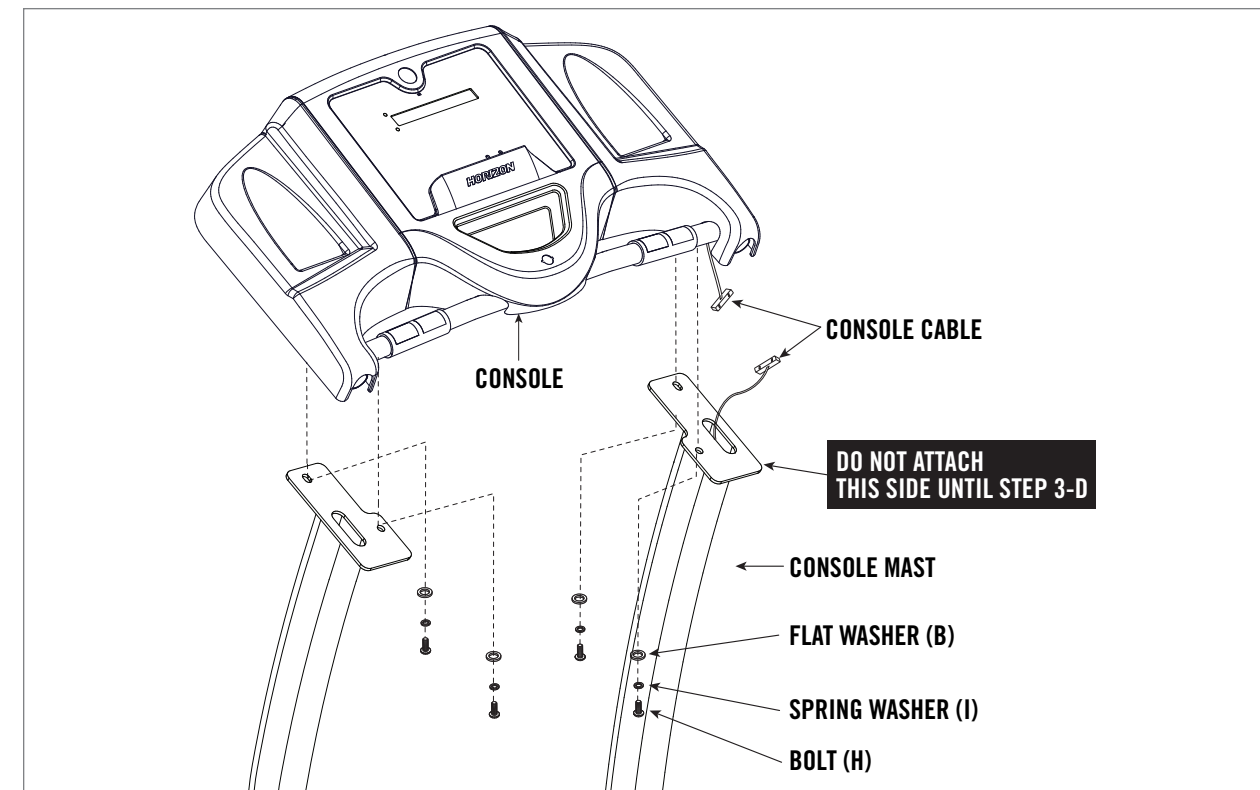
- A** Insert 1 **BOLT (D)** and 1 **FLAT WASHER (E)** through **RIGHT CONSOLE MAST** followed by 1 **WAVY WASHER (F)** and attach to **MAIN FRAME**.
- B** Unscrew **PRE-ATTACHED NUT** and remove from **RIGHT LINKAGE ARM** and discard. Carefully move **RIGHT LINKAGE ARM** and **PRE-ATTACHED TEFLON WASHER** into position and attach to **ELEVATION FRAME**.  
NOTE: While holding **RIGHT CONSOLE MAST** in the upright position, tighten **PRE-ATTACHED BOLT** using T-wrench to attach **RIGHT LINKAGE ARM**.
- C** Cut band holding **FOOT LOCK LATCH** assembly. Lift the **RUNNING DECK** until lock latch on side of treadmill is fully engaged.
- D** Remove **CONSOLE** from box and place out of the way.
- E** Lower the treadmill **RUNNING DECK** from the folded position by stepping on **LOCK LATCH** on lower right side.

\* **NOTE:** If you have attempted to move the treadmill from the box and the machine has sprung open and cannot be assembled, refer to the troubleshooting section in order to restore the treadmill to its proper position.



## ASSEMBLY STEP 3

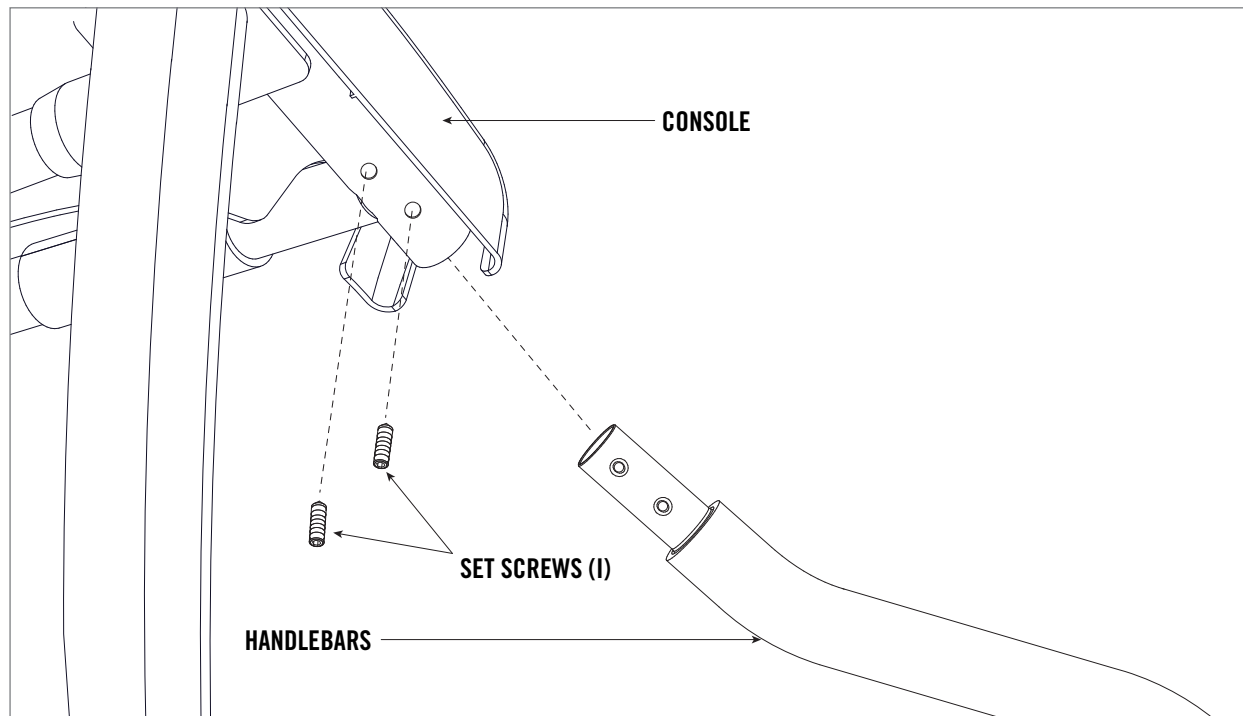
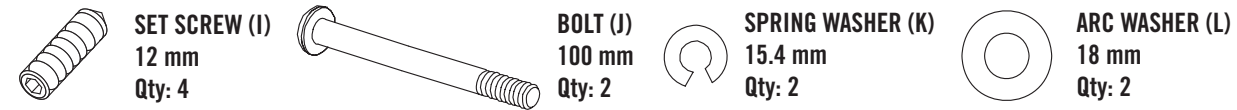
## HARDWARE BAG 3 CONTENTS:



- A** Open **HARDWARE BAG 3**.
- B** With running deck in lowered position, place **CONSOLE** on the console masts. Align the brackets that are underneath the console with the top holes of the console masts.
- C** To assemble the **CONSOLE** to the **LEFT CONSOLE MAST**, insert 1 **BOLT (H)**, 1 **SPRING WASHER (I)** and 1 **FLAT WASHER (B)** into the 2 holes in the **LEFT CONSOLE MAST** and lightly tighten.
- D** Gently lift **RIGHT** side of the **CONSOLE** to connect the **CONSOLE CABLE**. Carefully tuck wire in mast to avoid damage. **NOTE:** Do not pinch console cable or grip pulse wires.
- E** Repeat **STEP C** above to assemble the **RIGHT CONSOLE MAST** to the **CONSOLE**.
- F** Leave console bolts loose until after **STEP 4** is completed.

## ASSEMBLY STEP 4

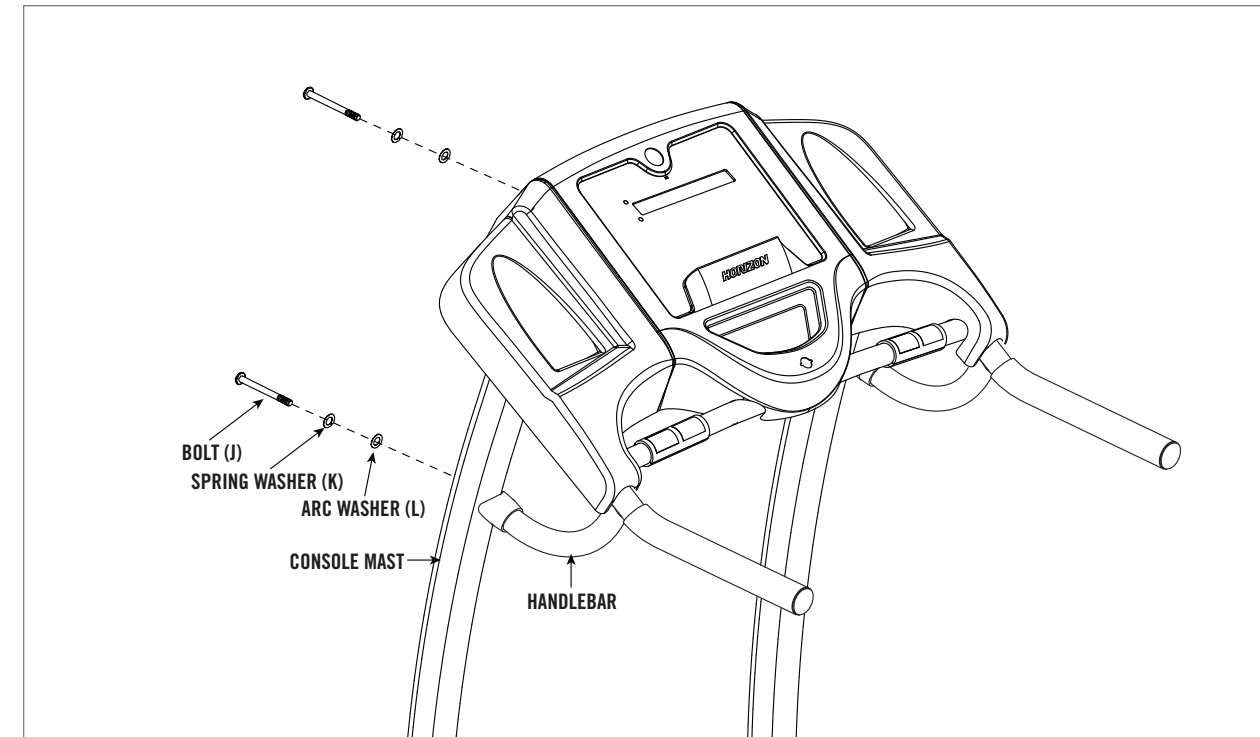
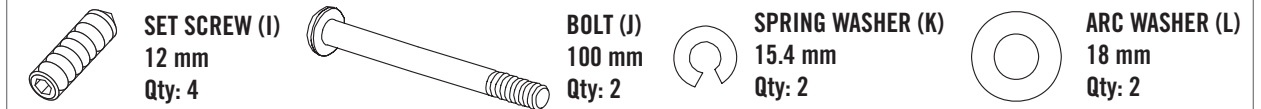
## HARDWARE BAG 4 CONTENTS :



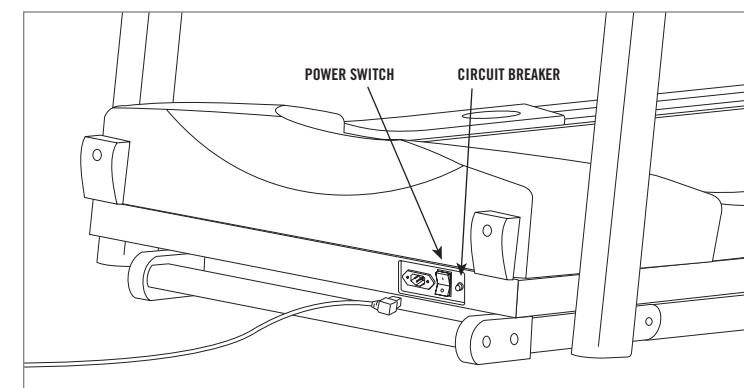
- A** Open **HARDWARE BAG 4**.
- B** Attach **LEFT HANDLEBAR** to **CONSOLE** using 2 **SCREWS (I)**.
- C** Repeat on other side.

## ASSEMBLY STEP 4 (CONTINUED)

## HARDWARE BAG 4 CONTENTS :



- A** Continue using **HARDWARE BAG 4**.
- B** Fasten **LEFT HANDLEBAR** to **CONSOLE MAST** using 1 **BOLT (J)**, 1 **SPRING WASHER (K)** and 1 **ARC WASHER (L)**.  
*NOTE: Look into holes in the right mast before inserting bolts to avoid pinching cables.*
- C** Repeat on other side.



Connect power plug to the treadmill and connect the cord to a power outlet. The on/off switch is located next to the power cord. Flip this switch to the 'ON' position, so that the switch is lit. You will hear a beep and the console will light up.

**YOU'RE FINISHED!**

## BEFORE YOU BEGIN

**CONGRATULATIONS** on choosing your treadmill. You've taken an important step in developing and sustaining an exercise program! Your treadmill is a tremendously effective tool for achieving your personal fitness goals. Regular use of your treadmill can improve the quality of your life in so many ways.

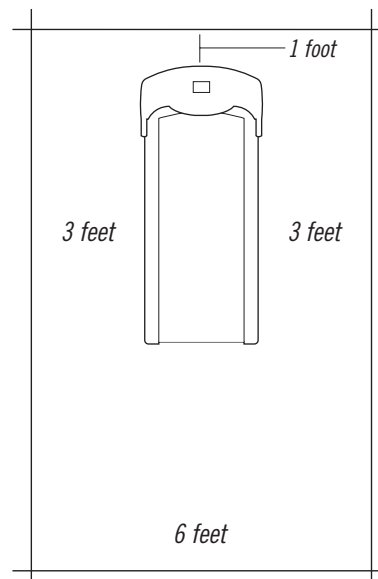
HERE ARE JUST A FEW OF THE HEALTH BENEFITS OF EXERCISE:

- Weight Loss
- A Healthier Heart
- Improved Muscle Tone
- Increased Daily Energy Levels

The key to reaping these benefits is to develop an exercise habit. Your new treadmill will help you eliminate obstacles that prevent you from exercising. Inclement weather and darkness won't interfere with your workout when you use your treadmill in the comfort of your home. This guide provides you with basic information for using and enjoying your new machine.

### LOCATION OF THE TREADMILL

Place the treadmill on a level surface. There should be 6 feet of clearance behind the treadmill, 3 feet on each side and one foot in front for folding and the power cord. Do not place the treadmill in any area that will block any vent or air openings. The treadmill should not be located in a garage, covered patio, near water or outdoors.



### DO NOT STAND ON THE BELT

While you are preparing to use the treadmill, do not stand on the belt. Place your feet on the side rails before starting the treadmill. Start walking on the belt only after the belt has begun to move. Never start the treadmill at a fast running speed and attempt to jump on!

### SAFETY KEY

Your treadmill will not start unless the safety key is placed in position. Attach the clip end securely to your clothing. This safety key is designed to cut the power to the treadmill if you should fall. Check the operation of the safety key every 2 weeks.



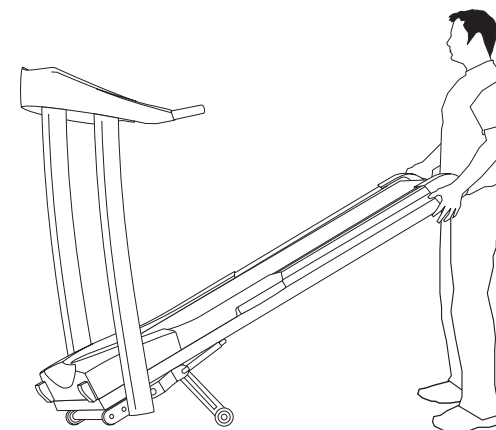
**NEVER USE THE TREADMILL WITHOUT SECURING THE SAFETY KEY CLIP TO YOUR CLOTHING. PULL ON THE SAFETY KEY CLIP FIRST TO MAKE SURE IT WILL NOT COME OFF YOUR CLOTHING.**

### PROPER USAGE

Your treadmill is capable of reaching high speeds. Always start off using a slower speed and adjust the speed in small increments to reach a higher speed level. Never leave the treadmill unattended while it is running. When not in use, remove the safety key, turn the on/off switch to off and unplug the power cord. Make sure to follow the MAINTENANCE schedule located in this manual. Keep your body and head facing forward. Do not attempt to turn around or look backwards while the treadmill is running. Stop your workout immediately if you feel pain, faint, dizzy or are short of breath.

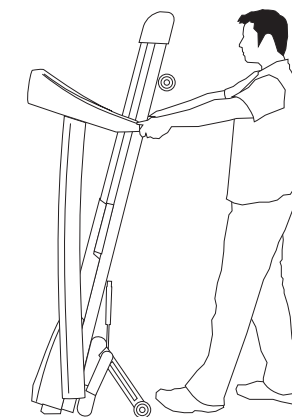


**Do not operate the treadmill if the power cord or plug is damaged. If the treadmill appears to not be working properly, do not use the treadmill.**



### FOLDING

Firmly grasp the back end of the treadmill. Carefully lift the end of the treadmill deck into the upright position until the foot lock latch engages and securely locks the deck into position. Make sure the deck is securely latched before letting go. To unfold, firmly grasp the back end of the treadmill. Gently press down on the foot lock latch with your foot until the lock latch disengages. Carefully lower the deck to the ground.



### MOVING

Your treadmill has a pair of transport wheels built into the frame. To move, make sure the treadmill is folded and securely latched. Then firmly grasp the handlebars, tilt the treadmill back and roll. **NOTE: Do not attempt to disassemble and transport treadmill.**



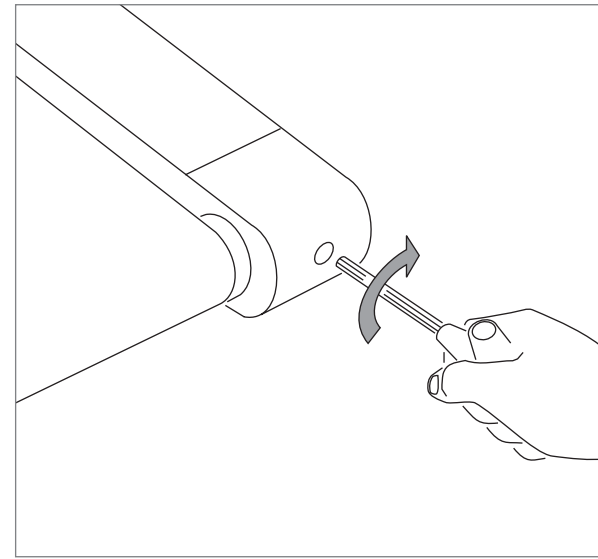
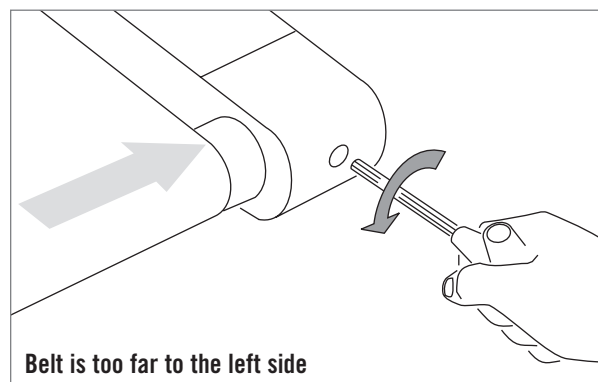
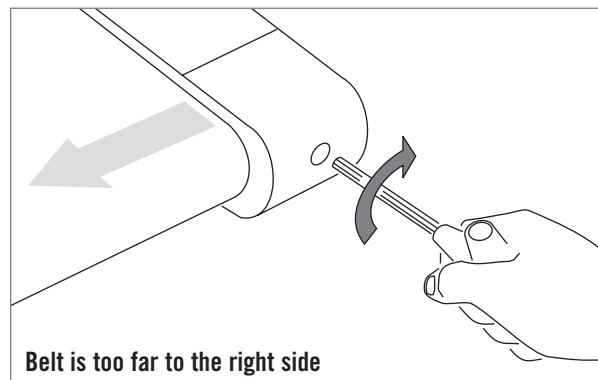
**Our Treadmills are heavy, use care and additional help if necessary when moving. Do not attempt to move or transport treadmill unless it is in the upright, folded position with the lock latch secured. Failure to follow these instructions could result in injury.**

## TENSIONING THE RUNNING BELT

The running belt has been properly adjusted at the factory before it was shipped. At times the belt can move off-center during shipment.

**CAUTION:** Running belt should NOT be moving during tensioning. Over-tightening the running belt can cause excessive wear on the treadmill as well as its components. Never over-tighten the belt.

If you can feel a slipping sensation when running on the treadmill, the running belt must be tightened. In most cases, the belt has stretched from use, causing the belt to slip. This is a normal and common adjustment. To eliminate this slipping, **TURN THE TREADMILL OFF** and tension **BOTH THE REAR ROLLER BOLTS** using the supplied Allen wrench, turning them 1/4 TURN to the right as shown. Turn the treadmill on and check for slipping. Repeat if necessary, but NEVER TURN the roller bolts more than 1/4 turn at a time. Belt is properly tensioned when the slipping sensation is gone.



## CENTERING THE RUNNING BELT

The running belt has been properly adjusted at the factory before it was shipped. At times the belt can move off-center during shipment. Before operating the treadmill, make sure the belt is centered and remains centered to maintain smooth operation.

**CAUTION:** Do not run belt faster than 1/2 mph while centering. Keep fingers, hair and clothing away from belt at all times.

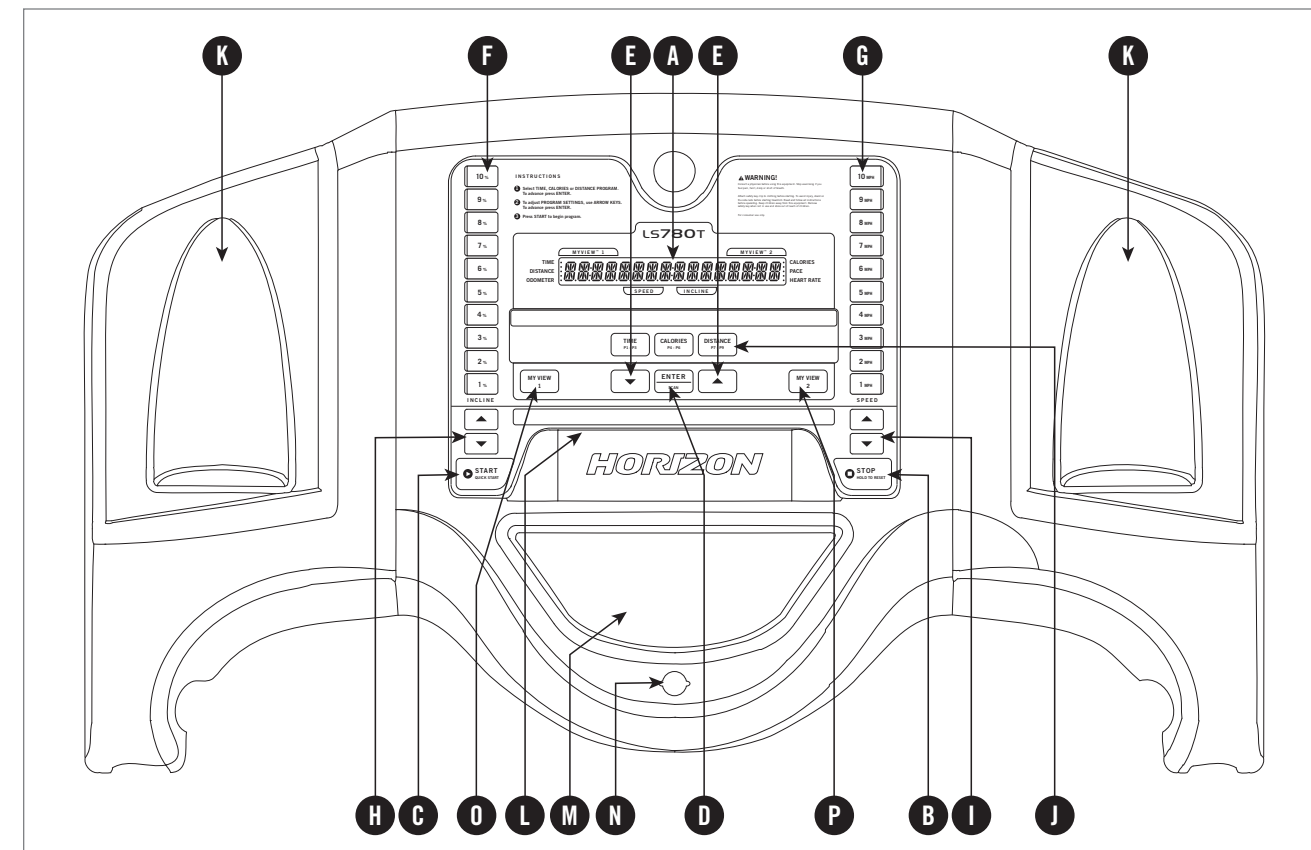
### If the running belt is too far to the right side:

With the treadmill running at 1/2 mph, turn the right adjustment bolt clockwise 1/4 TURN at a time (using the supplied Allen wrench). Check the belt alignment. Allow belt to run a full cycle to gauge if more adjustment is needed. Repeat if necessary, until the belt remains centered during use.

### If the running belt is too far to the left side:

With the treadmill running at 1/2 mph, turn the right adjustment bolt counter-clockwise 1/4 TURN at a time (using the supplied Allen wrench). Check the belt alignment. Allow belt to run a full cycle to gauge if more adjustment is needed. Repeat if necessary, until the belt remains centered during use.

# TREADMILL OPERATION



NOTE: There is a thin protective sheet of clear plastic on the overlay of the console and should be removed.

- A) **MONITOR DISPLAY:** Time, Distance, Odometer, Calories, Pace, Heart Rate, Speed and Incline.
- B) **STOP:** Press to pause/end your workout. Hold for 3 seconds to reset the treadmill.
- C) **START:** Simply press to begin exercising or starts your program.
- D) **ENTER:** Used to select Program and Time. Press and hold 5 seconds to scan.
- E) **PROGRAM SETTING KEYS:** Press to adjust time, calories or distance goals.
- F) **INCLINE KEYS:** Used to reach desired incline more quickly.
- G) **SPEED KEYS:** Used to reach desired speed more quickly.
- H) **INCLINE ARROW KEYS:** Used to adjust incline in small increments (0.5% increments).
- I) **SPEED ARROW KEYS:** Used to adjust speed in small increments (0.1 mph increments).
- J) **QUICK GOAL/PROGRAM KEYS:** Used to quickly select desired goal and program settings.
- K) **WATER BOTTLE HOLDERS:** Holds personal workout equipment.
- L) **READING RACK:** Holds reading material. (Remove sales sticker before use)
- M) **CD / MP3 HOLDERS:** Holds your personal music player.
- N) **SAFETY KEY POSITION:** Enables treadmill operation when safety key is used.
- O) **MYVIEW™ 1 KEY:** Press during workout to scroll through left side display options (Time, Distance and Odometer).
- P) **MYVIEW™ 2 KEY:** Press during workout to scroll through right side display options (Calories, Pace and Heart Rate).

## MONITOR DISPLAY

**SPEED** • Shown as MPH. Indicates how fast your walking or running surface is moving.

**TIME** • Shown as Minutes:Seconds. View the time remaining or the time elapsed in your workout.

**INCLINE** • Shown as Percent. Indicates the incline of your walking or running surface.

**DISTANCE** • Shown as Miles. Indicates distance traveled during your workout.

**HEART RATE** • Shown as Beats Per Minute. Used to monitor your heart rate (displayed when contact is made with both pulse grips).

**CALORIES** • Total Calories burned during your workout.

**ODOMETER** • Logs User's total accumulated distance.



### MyView™

Customize your display and see the feedback that matters most with the Sports Authority's exclusive MyView™ display. MyView™ allows you to view the feedback you need to reach your fitness goals.

To change the feedback metrics being displayed, select the "MyVIEW™ 1 or MyVIEW™ 2" button to toggle between the feedback options. The indicator light to the left or right of the feedback options indicates which feedback is currently displayed including Time, Distance, Calories, Pace and Heart Rate.

## HEART RATE

### PULSE GRIPS

Place the palm of your hands directly on the grip pulse handlebars. Both hands must grip the bars for your heart rate to register. It takes 5 consecutive heart beats (15-20 seconds) for your heart rate to register. When gripping the pulse handlebars, do not grip tightly. Holding the grips tightly may elevate your blood pressure. Keep a loose, cupping hold. You may experience an erratic readout if consistently holding the grip pulse handlebars. Make sure to clean the pulse sensors to ensure proper contact can be maintained. (See page 29).

**IMPORTANT:** The heart rate function on this product is not a medical device. While heart rate grips can provide a relative estimation of your actual heart rate, they should not be relied on when accurate readings are necessary. Some people, including those in a cardiac rehab program, may benefit from using an alternate heart rate monitoring system like a chest or wrist strap. Various factors, including movement of the user, may affect the accuracy of your heart rate reading. The heart rate reading is intended only as an exercise aid in determining heart rate trends in general. Please consult your physician.

## GETTING STARTED / SELECTING A PROGRAM

- 1) Check to make sure nothing is on or will hinder the movement of the treadmill.
- 2) Plug in the power cord and turn the treadmill ON.
- 3) Stand on the side rails of the treadmill.
- 4) Attach the safety key clip to part of your clothing.
- 5) Insert the safety key into the safety keyhole in the console.
- 6) You have two options to start your workout:

### A) QUICK START UP

Simply press the **START** key to begin working out. OR...

### B) SELECT A GOAL

Press the **QUICK PROGRAM KEYS** or **UP/DOWN ARROW KEYS** to toggle between the goal of your choice, either **TIME**, number of **CALORIES** or a certain **DISTANCE**. Press **ENTER** to choose goal. (Refer to Goal Programming Section on next page for more details.)

### FINISHING YOUR WORKOUT

When your workout is complete, the **MONITOR DISPLAY** will flash and beep. Your workout information will stay displayed on the console for 30 seconds and then reset.

### CLEAR CURRENT SELECTION

To clear the current program selection or screen, hold the **STOP** button for 4-5 seconds.

### SCAN VIEWING SCREENS

To have the display screen switch continually between display options, hold the **ENTER** button for 5 seconds. Press **ENTER** one additional time to turn off scan feature.

### CLEAR ODOMETER

The user can press and hold the **INCLINE KEYS** for 10 seconds before a program is running to reset the odometer.

## GOAL PROGRAMMING

The programs on your treadmill allow you to exercise to the goal of your choice, either **TIME**, **NUMBER OF CALORIES** or a certain **DISTANCE**.

### GOAL: TIME

Allows you to work towards a time-based goal.

1. Press **TIME** key once to select a time-based goal with Manual speed and incline.
2. Press **TIME** key again to select a time-based goal with speed Intervals.
3. Press **TIME** key again to select a time-based goal with Foot Hills terrain.
4. Press **ENTER** key to select program.
5. Set **TIME** using the arrow keys and press **ENTER**.
6. Press **START** key to start workout.

### GOAL: CALORIES

Allows you to work towards a calorie-based goal.

1. Press **CALORIE** key once to select a calorie-based goal with Manual speed and incline.
2. Press **CALORIE** key again to select a calorie-based goal with speed Intervals.
3. Press **CALORIE** key again to select a calorie-based goal with Foot Hills terrain.
4. Press **ENTER** key to select program.
5. Set number of calories using the arrow keys and press **ENTER**.
6. Press **START** key to start workout.

### GOAL: DISTANCE

Allows you to work towards a distance-based goal.

1. Press **DISTANCE** key once to select a calorie-based goal with Manual speed and incline.
2. Press **DISTANCE** key again to select a calorie-based goal with speed Intervals.
3. Press **DISTANCE** key again to select a calorie-based goal with Foot Hills terrain.
4. Press **ENTER** key to select program.
5. Set distance using the arrow keys and press **ENTER**.
6. Press **START** key to start workout.

## PROGRAM PROFILES



### MANUAL

Allows you to adjust the incline level to your preference, without a preset program.



### INTERVALS

Walk or run a series of alternating **SPEED** levels.



### FOOT HILLS

Motivates with different combinations of **ELEVATION**.



### PROGRAM: MANUAL

Allows 'On The Fly' manual **SPEED** and **INCLINE** changes.



### PROGRAM: INTERVALS

Walk or run a series of alternating **SPEED** levels.

#### INTERVALS PROGRAM SEGMENTS

Speed changes and segments 1-2 repeat 90 seconds and 30 seconds.

TIME	2:00	2:00	90	30	2:00	2:00
SEGMENT	WARM-UP		1	2	COOL DOWN*	
Level	1.0	1.5	2.0	4.5	1.5	1.0

(WARM-UP and COOL-DOWN last 4:00 minutes each and are included in program times)



### PROGRAM: FOOT HILLS

Motivates with different combinations of **ELEVATION**.

#### FOOTHILLS PROGRAM SEGMENTS

(Segments last 30 seconds, segments 1-15 are repeated until selected goal is reached)

#### FOOT HILLS PROGRAM SEGMENTS (all segments last 30 seconds)

	2:00	2:00	Segments 1-15 repeated until selected time is reached															2:00	2:00				
	Warm Up		1	2	3	4	5	6	7	8	9	10	11	12	13	14	15	Cool Down*					
Level	0.0	0.5	0.0	0.5	1.0	3.0	2.0	3.0	2.0	3.0	2.5	3.5	2.5	3.0	2.0	3.0	2.0	3.0	1.0	0.5	0.0	0.5	0.0

(WARM-UP AND COOL-DOWN LAST 4:00 MINUTES EACH)

\*NOTE: There is no Cool Down for calorie or distance goals. Cool Down will only be active for time-based goals.

## CONDITIONING GUIDELINES

ALWAYS CONSULT YOUR PHYSICIAN BEFORE BEGINNING AN EXERCISE PROGRAM.

### HOW OFTEN? (Frequency of Workouts)

The American Heart Association recommends that you exercise at least 3 to 4 days per week to maintain cardiovascular fitness. If you have other goals such as weight or fat loss, you will achieve your goal faster with more frequent exercise. Whether it's 3 days or 6 days, remember that your ultimate goal should be to make exercise a lifetime habit. Many people are successful staying with a fitness program if they set aside a specific time of day to exercise. It doesn't matter whether it's in the morning before breakfast, during lunch hour or while watching the evening news. What's more important is that it's a time that allows you to keep a schedule, and a time when you won't be interrupted. To be successful with your fitness program, you have to make it a priority in your life. So decide on a time, pull out your day planner and pencil in your exercise times for the next month!

### HOW LONG? (Duration of Workouts)

For aerobic exercise benefits, it's recommended that you exercise from between 24 and 60 minutes per session. But start slowly and gradually increase your exercise times. If you've been sedentary during the past year, it may be a good idea to keep your exercise times to as little as five minutes initially. Your body will need time to adjust to the new activity. If your goal is weight loss, a longer exercise session at lower intensities has been found to be most effective. A workout time of 48 minutes or more is recommended for best weight loss results.

### HOW HARD? (Intensity of Workouts)

How hard you workout is also determined by your goals. If you use your treadmill to prepare for a 5K run, you will probably work out at a higher intensity than if your goal is general fitness. Regardless of your long term goals, always begin an exercise program at low intensity. Aerobic exercise does not have to be painful to be beneficial! There are two ways to measure your exercise intensity. The first is by monitoring your heart rate (using the grip pulse handlebars or a wireless chest transmitter - may be sold separately), and the second is by evaluating your perceived exertion level (this is simpler than it sounds!).

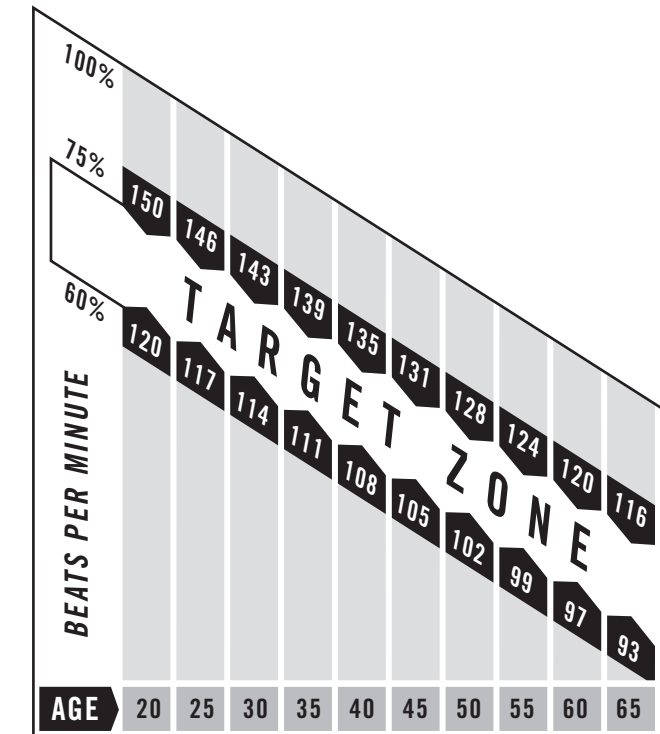
### PERCEIVED EXERTION LEVEL

A simple way to gauge your exercise intensity is to evaluate your perceived exertion level. While exercising, if you are too winded to maintain a conversation without gasping, you are working out too hard. A good rule of thumb is to work to the point of exhilaration, not exhaustion. If you cannot catch your breath, it's time to slow down. Always be aware of these warning signs of overexertion.

## TARGET HEART RATE ZONE CHART

### What is Target Heart Rate Zone?

Target Heart Rate Zone tells you the number of times per minute your heart needs to beat to achieve a desired workout effect. It is represented as a percentage of the maximum number of times your heart can beat per minute. Target Zone will vary for each individual, depending on age, current level of conditioning, and personal fitness goals. The American Heart Association recommends working-out at a Target Heart Rate Zone of between 60% and 75% of your maximum heart rate. A beginner will want to workout in the 60% range while a more experienced exerciser will want to workout in the 70-75% range. See chart for reference.



### EXAMPLE:

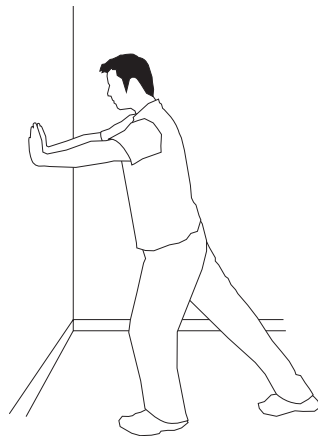
For a 42-year-old user: Find age along the bottom of the chart (round to 40), follow age column up to the target zone bar. Results: 60% of maximum Hear Rate = 108 Beats Per Minute, 75% of maximum Heart Rate = 135 Beat Per Minute.

ALWAYS CONSULT YOUR PHYSICIAN BEFORE BEGINNING AN EXERCISE PROGRAM.

## STRETCHING

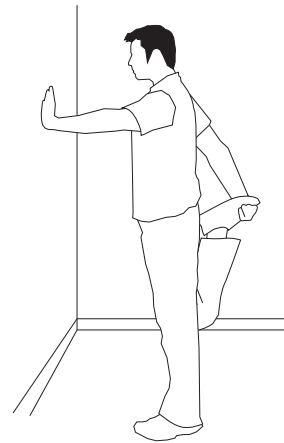
### STRETCH FIRST

Before using your product, it is best to take a few minutes to do a few gentle stretching exercises. Stretching prior to exercise will improve flexibility and reduce chances of exercise related injury. Ease into each of these stretches with a slow gentle motion. Do not stretch to the point of pain. Make sure not to bounce while doing these stretches.



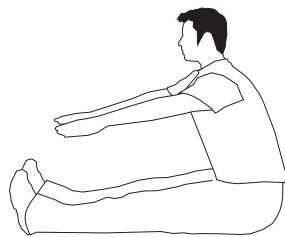
#### 1. STANDING CALF MUSCLE STRETCH

Stand near a wall with the toes of your left foot about 18" from the wall, and the right foot about 12" behind the other foot. Lean forward, pushing against the wall with your palms. Keep your heels flat and hold this position for a count of 15 seconds. Make sure that you do not bounce while stretching. Repeat on the other side.



#### 2. STANDING QUADRICEPS STRETCH

Using a wall to provide balance, grasp your right ankle with your right hand and hold your foot against the back of your thigh for 15 seconds. Repeat with your left ankle and hand.



#### 3. SITTING HAMSTRING & LOWER BACK MUSCLE STRETCH

Sit on the floor with your legs together and straight out in front of you. Do not lock your knees. Extend your fingers towards your toes and hold for a count of 15 seconds. Make sure that you do not bounce while stretching. Sit upright again. Repeat one time.

### TIPS

## THE IMPORTANCE OF WARM UP & COOL DOWN

### WARM UP

The first 2 to 5 minutes of a workout should be devoted to warming up. The warm-up will limber your muscles and prepare them for more strenuous exercise. Make sure that you warm-up on your product at a slow pace. The warm up should gradually bring your heart rate into your Target Heart Rate Zone.

### COOL DOWN

Never stop exercising suddenly! A cool-down period of 3-5 minutes allows your heart to readjust to the decreased demand. Make sure that your cool down period consists of a very slow pace to allow your heart rate to lower. After the cool-down, repeat the stretching exercises listed above to loosen and relax your muscles.

### TIPS

## ACHIEVING YOUR FITNESS GOALS

An important step in developing a long term fitness program is to determine your goals. Is your primary goal for exercising to lose weight? Improve muscle? Reduce stress? Prepare for the spring racing schedule? Knowing what your goals are will help you develop a more successful exercise program. Below are some common exercise goals:

- Weight Loss - lower intensity, longer duration workouts
- Improve Body Shape and Tone - interval workouts, alternate between hi and low intensities
- Increased Energy Level - more frequent daily workouts
- Improved Sports Performance - high intensity workouts
- Improved Cardiovascular Endurance - moderate intensity, longer duration workouts

If possible try to define your personal goals in precise, measurable terms, and then put your goals in writing. The more specific you can be, the easier it will be to track your progress. If your goals are long term, divide them up into monthly and weekly segments. Longer term goals can lose some of the immediate motivation benefits. Short term goals are easier to achieve. Your console provides you with several readouts that can be used to record your progress. You can track Distance, Calories or Time.

### KEEPING AN EXERCISE DIARY

To make your personal exercise log book, photocopy the weekly and monthly log sheets, which are located on the following pages, or you can print them off of your computer by going to:

[www.horizonfitness.com/guides/weeklylog.pdf](http://www.horizonfitness.com/guides/weeklylog.pdf)

[www.horizonfitness.com/guides/monthlylog.pdf](http://www.horizonfitness.com/guides/monthlylog.pdf)

As your fitness improves, you can look back and see how far you've come!

## WEEKLY LOG SHEETS

WEEK #		WEEKLY GOAL				
DAY	DATE	DISTANCE	CALORIES	TIME	COMMENTS	
SUNDAY						
MONDAY						
TUESDAY						
WEDNESDAY						
THURSDAY						
FRIDAY						
SATURDAY						
<b>WEEKLY TOTALS :</b>						

WEEK #		WEEKLY GOAL				
DAY	DATE	DISTANCE	CALORIES	TIME	COMMENTS	
SUNDAY						
MONDAY						
TUESDAY						
WEDNESDAY						
THURSDAY						
FRIDAY						
SATURDAY						
<b>WEEKLY TOTALS :</b>						

## MONTHLY LOG SHEET

MONTH		MONTHLY GOAL		
WEEK #	DISTANCE	CALORIES	TIME	
<b>MONTHLY TOTALS :</b>				

## TROUBLESHOOTING

## COMMON PRODUCT QUESTIONS

**ARE THE SOUNDS MY TREADMILL MAKES NORMAL?**

All treadmills make a certain type of thumping noise due to the belt riding over the rollers, especially new treadmills. This noise will diminish over time, although may not totally go away. Over time, the belt will stretch, causing the belt to ride smoother over the rollers.

**WHY IS THE TREADMILL I PURCHASED LOUDER THAN THE ONE AT THE STORE?**

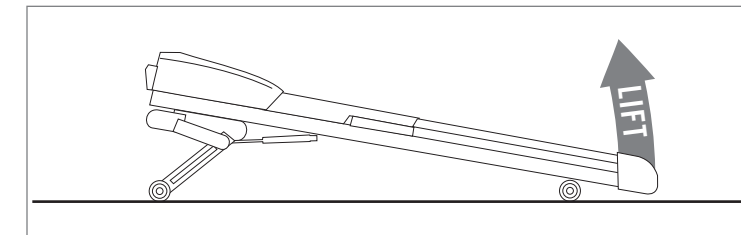
All fitness products seem quieter in a large store showroom because there is generally more background noise than in your home. Also, there will be less reverberation on a carpeted concrete floor than on a wood overlay floor. Sometimes a heavy rubber mat will help reduce reverberation through the floor. If a fitness product is placed close to a wall, there will be more reflected noise.

**WHEN SHOULD I BE WORRIED ABOUT A NOISE?**

As long as the sounds your treadmill makes are no louder than a normal conversational tone of voice, it is considered normal noise.

## TROUBLESHOOTING - TREADMILL

Your treadmill is designed to be reliable and easy to use. However, if you experience a problem, please reference the troubleshooting guide listed below.



**PROBLEM:** If you have attempted to move the treadmill from the box and the machine has sprung open and cannot be assembled.

**SOLUTION:** The air shocks have been engaged prematurely. To correct this, tilt the machine on its nose by lifting the deck (light end) upwards. Fold down the deck so that it is horizontal. You may now proceed with the assembly.

**PROBLEM:** The console does not light up and/or the belt does not move.

**SOLUTION:** Verify the following:

**DOES THE RED LIGHT ON THE ON/OFF SWITCH LIGHT UP?**

**IF YES:**

- Double check that all connections are secure, especially the console cable. Unplug and reconnect the console cable to verify.
- Make sure the console cable is not pinched or damaged in any way.
- Turn the power off, unplug the power cable and wait 60 seconds. Remove motor cover. Wait until all red LED lights have gone off on the motor control board before proceeding. Next, verify that none of the wires connected to the lower board are loose or disconnected.

**IF NO:**

- Verify that the outlet the machine is plugged into is functional. Double check that the breaker has not tripped, it is on a dedicated 20-amp circuit, it is not on a GFCI-equipped outlet, and it is not plugged into a power strip/surge protector or extension cord.
- The power cord is not pinched or damaged and is properly plugged into the outlet AND the machine.
- The power switch is turned to the ON position.

**PROBLEM:** The treadmill circuit breaker trips during a workout.

**SOLUTION:** Verify the following:

- Make sure the treadmill is plugged into a dedicated 20-amp circuit.
- Verify that you do not have the machine on an extension cord or surge protector.
- Confirm that the machine is not plugged into a GFCI-equipped outlet or on a circuit that has a GFCI-equipped outlet on it.

**PROBLEM:** The running belt does not stay centered during a workout.

**SOLUTION:** Verify the following:

- Make sure the treadmill is on a level surface.
- Verify that the belt is properly tightened and centered (Refer to the Adjustment section for detailed directions).

**PROBLEM:** Operating speed appears inaccurate.

**SOLUTION:** Auto-calibrate the treadmill:

- Power on the treadmill and have the safety key in position on the console. Press and hold the elevation “+” and speed “-” buttons for approximately 5 seconds to enter the Engineering Mode. The console will beep and “ENG0” appears in the display.
- Press the Speed “+” or “-” button until “ENG2” appears in the display.
- Press, “ENTER” to select. Press, “START” to begin. The treadmill running belt will begin to move automatically and the auto-calibration sequence will properly set and store the speed values.
- Upon successful calibration, the treadmill will beep several times. The console will automatically exit Engineering Mode and return to the start-up screen.



**DO NOT** stand on running belt while calibrating – stand on the guide rails. Treadmill will fluctuate between low and high speeds for several minutes until calibration is complete.

## TROUBLESHOOTING - HEART RATE

Check your exercise environment for sources of interference such as fluorescent lights, computers, underground fencing, home security systems or appliances containing large motors. These items may cause erratic heart rate readouts.

You may experience an erratic readout under the following conditions:

- Gripping the heart rate handlebars too tight. Try to maintain moderate pressure while holding onto the heart rate handlebars.
- Constant movement and vibration due to constantly holding the heart rate handlebars while exercising. If you are receiving erratic heart rate readouts, try to only hold the grips long enough to monitor your heart rate.
- When you are breathing heavily during a workout.
- When your hands are constricted by wearing a ring.
- When your hands are dry or cold. Try to moisten your palms by rubbing them together to warm.
- Anyone with heavy arrhythmia.
- Anyone with arteriosclerosis or peripheral circulation disorder.
- Anyone whose skin on the measuring palm is especially thick.

If the above troubleshooting section does not remedy the problem, discontinue use and turn the power off.

**PLEASE CALL CUSTOMER TECH SUPPORT AT THE NUMBER ON THE BACK PANEL.**

The following information may be asked of you when you call. Please have these items readily available:

- Model Name
- Serial Number
- Date of Purchase (receipt or credit card statement)

In order for Customer Tech Support to service your treadmill they may need to ask detailed questions about the symptoms that are occurring.

Some troubleshooting questions that may be asked are:

- How long has this problem been occurring?
- Does this problem occur with every use? With every user?
- If you are hearing a noise, does it come from the front or the back? What kind of noise is it (thumping, grinding, squeaking, chirping etc.)?
- Has the machine been lubricated and maintained per the maintenance schedule?

Answering these and other questions will give the technicians the ability to send proper replacement parts and the service necessary to get you and your Horizon Fitness treadmill running again!

## MAINTENANCE

Cleanliness of your treadmill and its operation environment will keep maintenance problems and service calls to a minimum. For this reason, we recommend that the following preventive maintenance schedule be followed.

### AFTER EACH USE (DAILY)

Clean and inspect, following these steps:

- Turn off the treadmill with the on/off switch, then unplug the power cord at the wall outlet.
- Wipe down the running belt, deck, motor cover, and console casing with a damp cloth. Never use solvents, as they can cause damage to the treadmill.
- Inspect the power cord. If the power cord is damaged, contact Horizon Fitness.
- Make sure the power cord is not underneath the treadmill or in any other area where it can become pinched or cut.
- Check the tension and alignment of the running belt. Make sure that the treadmill belt will not damage any other components on the treadmill by being misaligned.

### EVERY WEEK

Clean underneath the treadmill, following these steps:

- Turn off the treadmill with the on/off switch, then unplug the power cord at the wall outlet.
- Fold the treadmill into the upright position, making sure that the lock latch is secure.
- Move the treadmill to a remote location.
- Wipe or vacuum any dust particles or other objects that may have accumulated underneath the treadmill.
- Return the treadmill to its previous position.

### EVERY MONTH - IMPORTANT!

- Turn off the treadmill with the on/off switch, then unplug the power cord at the wall outlet.
- Inspect all assembly bolts of the machine for proper tightness.
- Turn off the treadmill and wait 60 seconds.
- Remove the motor cover. Wait until all display screens turn off.
- Clean the motor and lower board area to eliminate any lint or dust particles that may have accumulated. Failure to do so may result in premature failure of key electrical components.
- Vacuum and wipe down the belt with a damp cloth. Vacuum any black/white particles that may accumulate around the unit. These particles may accumulate from normal treadmill use.

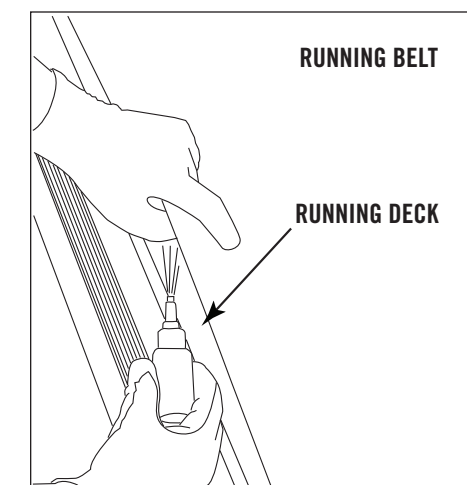
### EVERY 6 MONTHS OR 150 MILES

It is necessary to lubricate your treadmill running deck every six months or 150 miles to maintain optimal performance. Once the treadmill reaches 150 miles, the console will display the message “LUBE” or “LUBE BELT”. The treadmill will not operate while the message is showing. Hold Stop for 5 seconds to suspend message for 5 miles. Your treadmill came with a bottle of lubricant which can be used for two applications. If you need lubricant, contact Horizon Fitness . Only use lubricant provided by Horizon Fitness .

- Turn off the treadmill with the on/off switch, then unplug the power cord at the wall outlet.
- Loosen both the rear roller bolts. (For best results, place two removable marks on both sides of the frame and note roller position). Once the belt is loosened, take the bottle of lubricant and apply it to the entire top surface of the running deck. Tighten both rear roller bolts (matching up the marks for proper position) to original position. After you have applied lubricant, plug in the power cord, insert the safety key, start the treadmill and walk on the belt for two minutes to spread the lubricant.
- Lubricate the air shocks with Teflon based spray.
- Once lubrication is complete, reset the console by pressing and holding ‘STOP’ and Speed ‘+’ buttons for 5 seconds.

Please contact Horizon Fitness with questions about applying lubricant to your treadmill.

## LUBRICATION



## LIMITED HOME-USE WARRANTY

**Weight Capacity = 275 LBS**

### FRAME • LIFETIME

Horizon Fitness warrants the frame against defects in workmanship and materials for the lifetime of the original owner. (The frame is defined as the welded metal base of the unit and does not include any parts that can be removed.)

### MOTOR • LIFETIME

Horizon Fitness warrants the motor against defects in workmanship and materials for the lifetime of the original owner.

### ELECTRONICS & PARTS • 1 YEAR

Horizon Fitness warrants the electronic components, finish and all original parts for a period of one year from the date of original purchase, so long as the device remains in the possession of the original owner.

### LABOR • 1 YEAR

Horizon Fitness shall cover the labor cost for the repair of the device for a period of one year from the date of the original purchase, so long as the device remains in the possession of the original owner.

### EXCLUSIONS AND LIMITATIONS

Who IS covered:

- The original owner and is not transferable.

What IS covered:

- Repair or replacement of a defective motor, electronic component, or defective part and is the sole remedy of the warranty.

What IS NOT covered:

- Normal wear and tear, improper assembly or maintenance, or installation of parts or accessories not originally intended or compatible with the equipment as sold.
- Damage or failure due to accident, abuse, corrosion, discoloration of paint or plastic, neglect, theft, vandalism, fire, flood, wind, lightning, freezing, or other natural disasters of any kind, power reduction, fluctuation or failure from whatever cause, unusual atmospheric conditions, collision, introduction of foreign objects into the covered unit, or modifications that are unauthorized or not recommended by Horizon Fitness.
- Incidental or consequential damages. Horizon Fitness is not responsible or liable for indirect, special or consequential damages, economic loss, loss of property, or profits, loss of enjoyment or use, or other consequential damages of whatsoever nature in connection with the purchase, use, repair or maintenance of the equipment.
- Equipment used for commercial purposes or any use other than a single family or Household, unless endorsed by Horizon Fitness for coverage.
- Equipment owned or operated outside the US and Canada.
- Delivery, assembly, installation, setup for original or replacement units or labor or other costs associated with removal or replacement of the covered unit.
- Any attempt to repair this equipment creates a risk of injury. Horizon Fitness is not responsible or liable for any damage, loss or liability arising from any personal injury incurred during the course of, or as a result of any repair or attempted repair of your fitness equipment by other than an authorized service technician. All repairs attempted by you on your fitness equipment are undertaken AT YOUR OWN RISK and Horizon Fitness shall have no liability for any injury to the person or property arising from such repairs.

### SERVICE/RETURNS

- In-home service is available within 150 miles of the nearest authorized repair center (Mileage beyond 150 miles from an authorized service center is the responsibility of the consumer).
- All returns must be pre-authorized by Horizon Fitness.
- Horizon Fitness' obligation under this warranty is limited to replacing or repairing, at Horizon Fitness' option, the same or comparable model at one of its authorized service centers.
- A Horizon Fitness authorized service center must receive all equipment for which a warranty claim is made. This equipment must be received with all freight and other transportation charges prepaid, accompanied by sufficient proof of purchase.
- Replacement units, parts and electronic components reconditioned to As-new Condition by Horizon Fitness or its vendors may sometimes be supplied as warranty replacement and constitute fulfillment of warranty terms.
- This warranty gives you specific legal rights, and your rights may vary from state to state.

## CUSTOMER TECH SUPPORT



**DO NOT RETURN TO THE RETAILER**  
if you have any problems during  
assembly or if parts are missing.

For fast and friendly service, please contact one of our  
trained customer technicians via phone, email or our website.

Customer Tech Support Hotline: **1-866-998-3676**

Email: **[comments@horizonfitness.com](mailto:comments@horizonfitness.com)**

Website: **[www.horizonfitness.com](http://www.horizonfitness.com)**

*Every employee at Horizon Fitness takes pride in providing you with a high quality product.  
We want to know if you have a problem and we want to have an opportunity to correct it for you.*

**NOTE:** Please read the **TROUBLESHOOTING** section before contacting Customer Tech Support.  
To receive additional product information, visit us at [www.horizonfitness.com](http://www.horizonfitness.com)



**HORIZON**  
FITNESS

1600 Landmark Drive  
Cottage Grove, WI 53527  
Tel: 1.866.998.3676

MAY BE COVERED BY ONE OR MORE  
PATENTS OR PATENTS PENDING

US 6273843	TW 586429
TW 494765	US 7104930
CN 03206094.7	CN 01230904.4
US 6682460	