

Upper Board & Reed Switch Replacement 2007

Tools Required

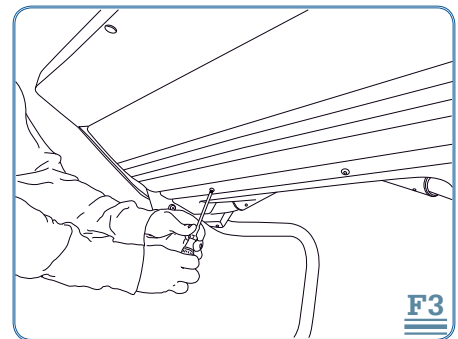
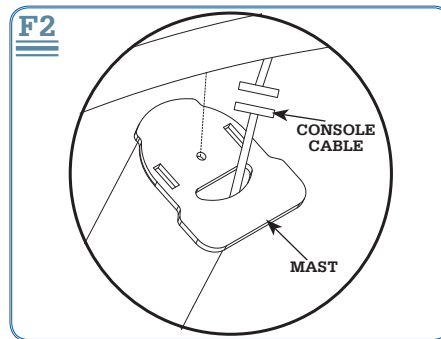
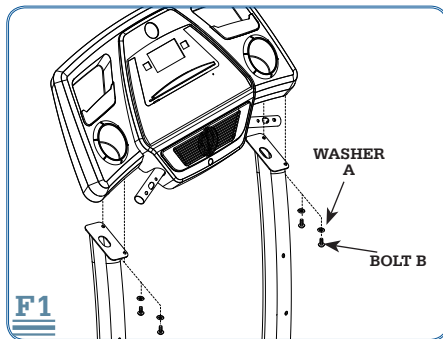
- 5mm Allen Wrench
- Phillips Screwdriver

Procedure

- 1 Turn off power to the treadmill and unplug the power cord from the wall outlet.
- 2 Remove console set from console masts by removing Washers A and Bolts B. (F1)
- 3 Disconnect the console. (F2)

Note: Take care not to allow the console cable to drop down into the console mast.

- 4 Lay the console face down on a flat sturdy surface.



- 5 Remove all of the screws from the back of the console. (F3)
- 6 **For Models T73, T74 and LS925T Only:** Remove all screws from the middle of the console. (F4)
- 7 Carefully turn the console over. Lift the faceplate off of the console.

Note: There are wires connecting the console to the faceplate.

- 8 Disconnect all wires and cables from the Upper Control Board. (F5)
- 9 Remove all screws that attach the Upper Control Board to the Face Plate.
- 10 **Upper Control Board Replacement:** Install new Upper Control Board.
- 11 **Reed Switch Replacement:** Disconnect Reed Switch from the Upper Control Board. (F6)

