

# Membrane & Overlay Replacement 2007

---

## Tools Required

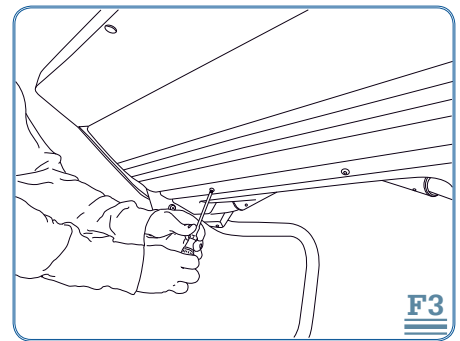
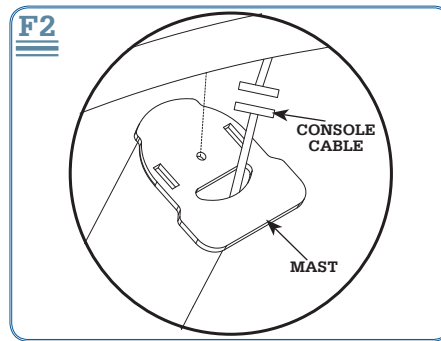
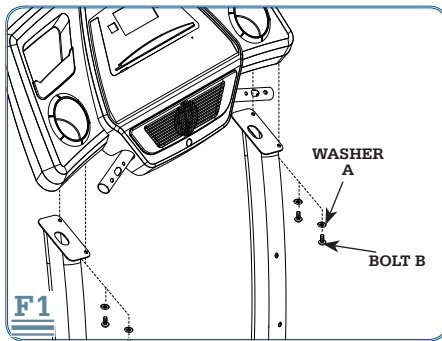
- 5mm Allen Wrench
- Phillips Screwdriver
- Adhesive Remover (e.g. Goo Gone)

## Procedure

- 1 Turn off power to the treadmill and unplug the power cord from the wall outlet.
- 2 Remove console set from console masts by removing Washers A and Bolts B. (F1)
- 3 Disconnect the console. (F2)

**Note: Take care not to allow the console cable to drop down into the console mast.**

- 4 Lay the console face down on a flat sturdy surface.



- 5 Remove all of the screws from the back of the console. (F3)
- 6 Carefully turn the console over. Lift the faceplate off of the console.

**Note: There are wires connecting the console to the faceplate.**

- 7 Disconnect all ribbon cables from the Upper Control Board. (F4)
- 8 Turn the Faceplate upside down on a flat sturdy surface.
- 9 Remove the Magazine Rack from the faceplate.
- 10 Turn the Faceplate right side up and remove the old Overlay and Membrane. (F5)
- 11 Clean plastic with Adhesive Remover.
- 12 Install new Membrane and Overlay.

