

Motor Control Board Replacement

Tools Required:

- Philips Screwdriver

Procedure:

IMPORTANT Due to continuous improvements, the new Motor Control Board may not look like the old one.

- 1) Turn off power to the treadmill and unplug power cord from wall outlet.
- 2) Remove the motor cover.
- 3) Verify that the 'MTR' LED on the Motor Control Board has turned off.

IMPORTANT If this LED is still lit, please wait approximately 1 minute until the light goes out. This is an indication that the stored power has finally left the board.

- 4) Unplug motor, optic sensor, elevation, speed sensor, and AC wires from the Motor Control Board (Figure 1). If replacing a non-digital Motor Control Board, unplug motor, elevation, speed sensor, and AC wires from the Motor Control Board (Figure 2).
- 5) Detach and remove the old Motor Control Board, and replace it with the new one.
- 6) Reconnect all the wires to the Motor Control Board (Figure 1). For non-digital motor control boards use Figure 2.
- 7) Calibrate unit per instructions. If no instructions were included please call Customer Tech Support at 1-800-244-4192.

Figure 1
Digital Motor Control Board

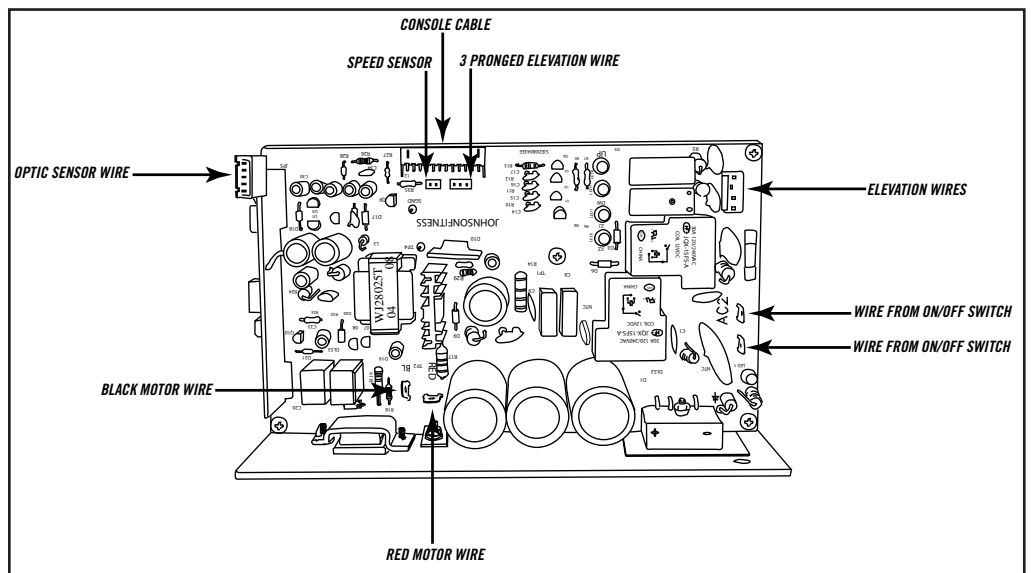
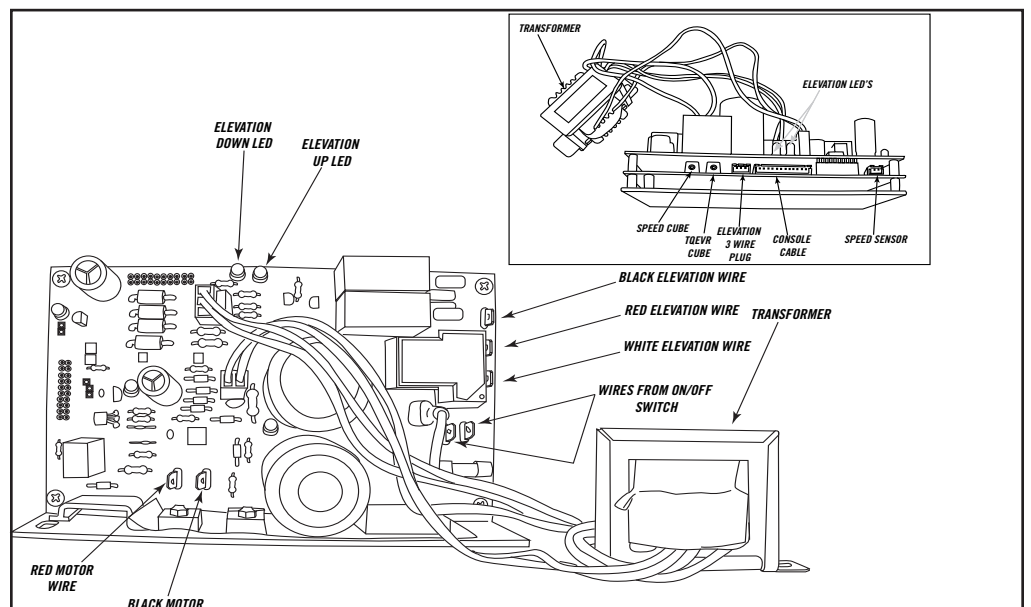


Figure 2
Non-Digital Motor Control Board



IMPORTANT A Recalled board will look different than its replacement board. When replacing Recalled Boards make sure to remove all transformers and the smaller sub board (if present). Make sure to calibrate unit after installing new board.