

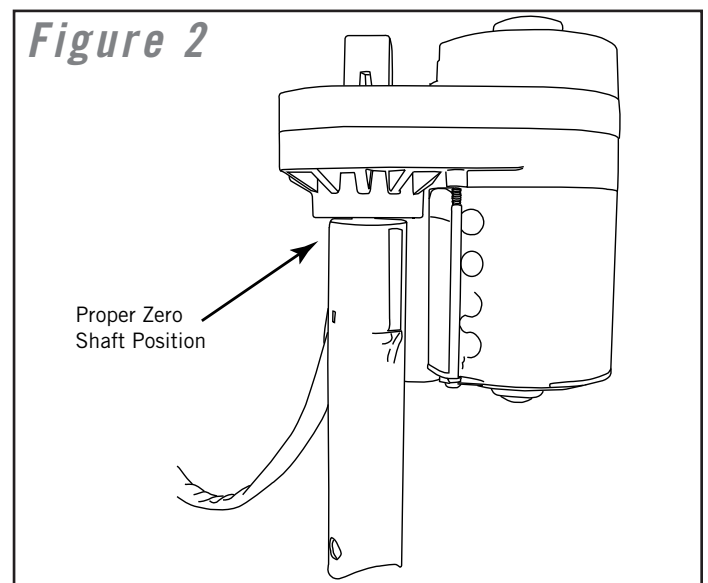
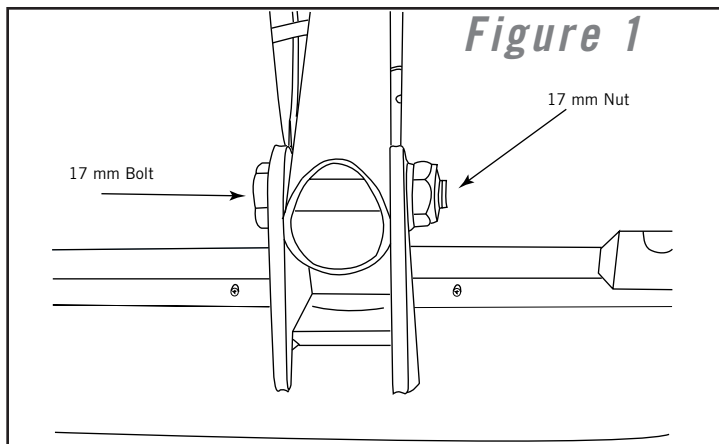
Resetting The Incline Motor After Replacing The Motor Control Board

Tools Required:

- Philips Screwdriver
- 17mm Socket
- 17mm Combination Wrench

Procedure:

- 1) Turn off power to the treadmill and unplug power cord from wall outlet.
- 2) Replace the Motor Control Board.
- 3) Fold treadmill into locked position.
- 4) Undo bolt that attaches the elevation tube to the bottom of the machine (Figure 1)



- 5) Power up the machine and let the incline spin freely in the tube until it reaches its “zero” position, and then turn power off.
- 6) Spin shaft manually until it is almost flush with the incline motor casing and only about 1 thread is visible (Figure 2).
- 7) Reinsert bolt and power up the machine.
- 8) Test the incline function and calibrate the unit.