

Console Mast Cable Replacement

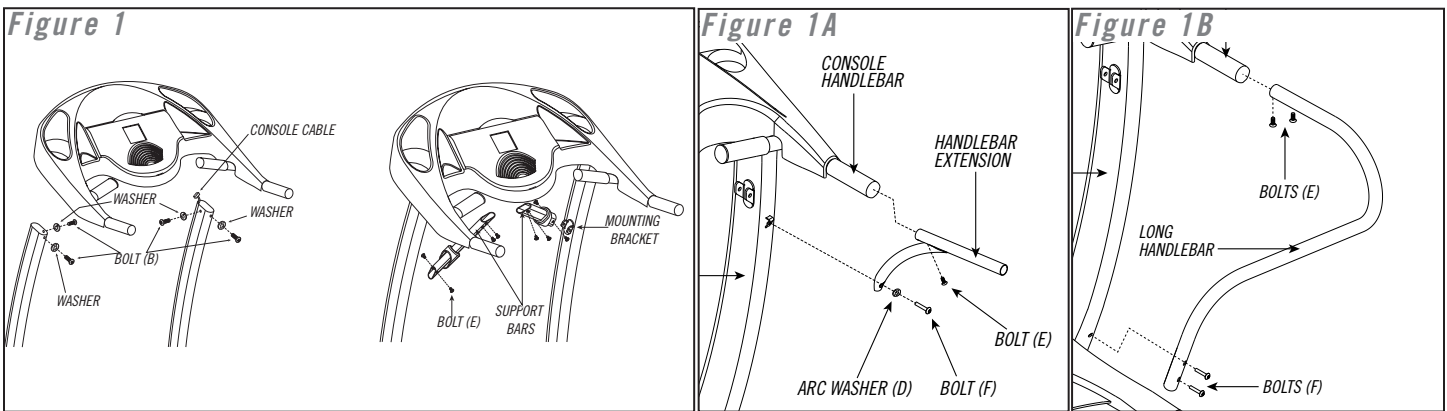
T61 -T64 and CST 3.5 & 4.5 and DT650 & 850 and WT950

Tools Required:

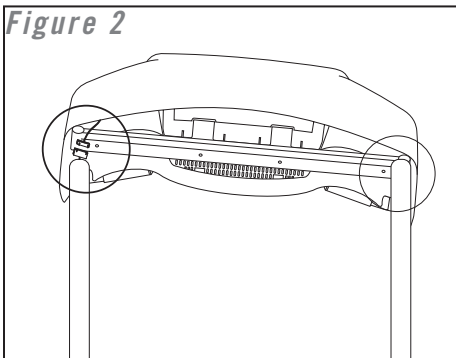
- Philips Screwdriver
- 4mm and 5mm Allen Wrenches
- Needle-nose Pliers
- Electrical Tape

Procedure:

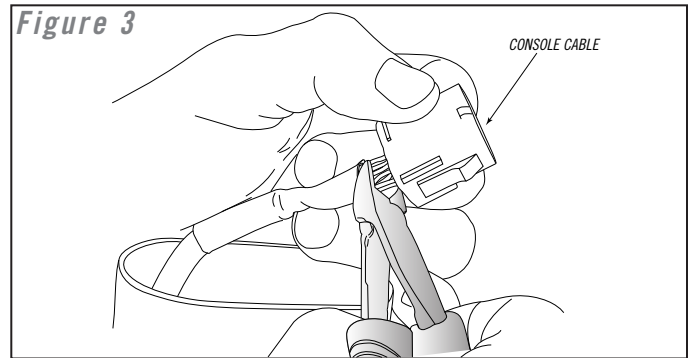
- 1) Turn off the power to the treadmill and unplug the power cord from the wall outlet.
- 2) Remove the motor cover.
- 3) Disconnect the console cable from the lower control board.
- 4) T61-T64 and CST 3.5 & CST 4.5 only Remove bolts E and remove support bars. (Figure 1)
CST 3.5 & CST 4.5 also remove handlebar extensions or long handlebars (figures 1a and 1b)



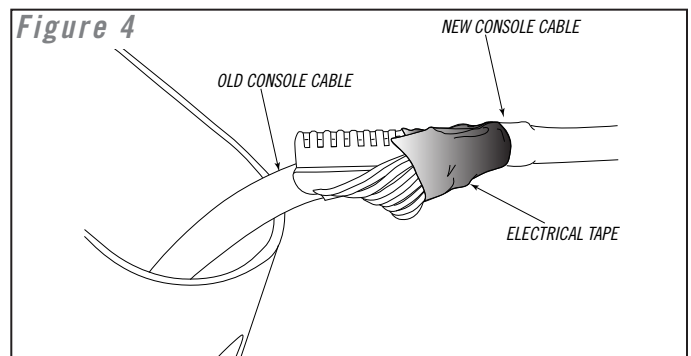
- 5) Remove bolts B holding console assembly onto console masts. (Figure 1)
- 6) Disconnect console cable in the upper left hand corner of the console and secure cable so that it does not fall down console mast. (Figure 2)



- 7) Cut the old console cable connector off at the top of the mast. (figure 3)



- 8) Attach the bottom of the new console cable to the existing cable at the top of the console mast with electrical tape. Pull the old cable from the bottom until the new cable comes out of the console mast. (figure 4)



- 9) Once the new console cable is installed through the console mast, connect the plugs to the motor control board and upper control board.
- 10) Re-attach the console assembly and support bars to the console mast.
- 11) Re-attach the motor cover, ensuring that the console cable is not being pinched.