

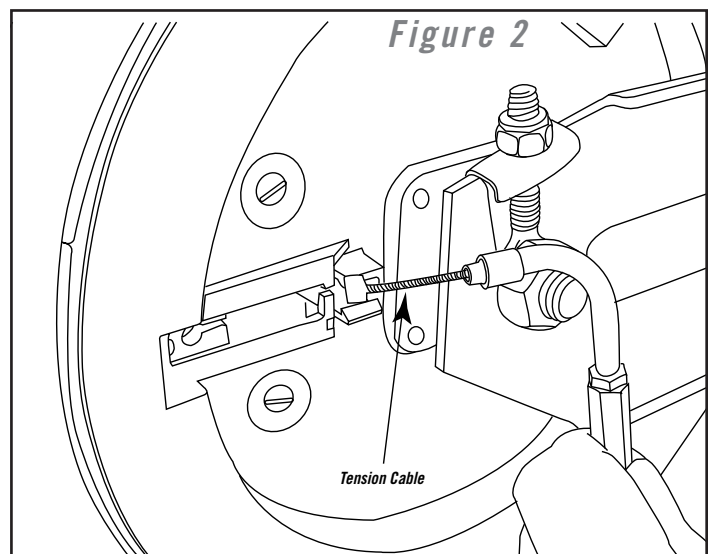
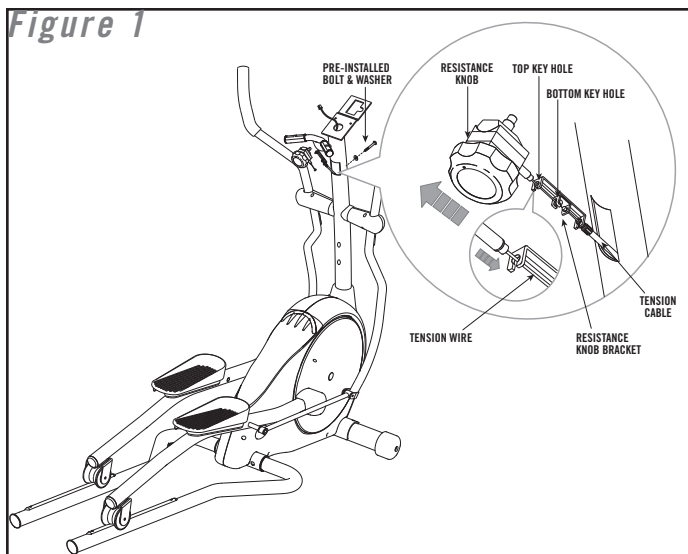
# Tension Cable Replacement (1.2E)

## Tools Required:

- Phillips Screwdriver
- 13mm, 14mm, 17mm Socket and Combination Wrenches
- 5mm Allen Wrench
- Needle Nose Pliers
- Crank Puller

## Procedure:

1. Turn the tension knob to the highest resistance level.
2. Remove the bolt that attaches the tension knob to the console mast.
3. Remove the tension knob from the tension cable by pulling up on the tension knob.
4. Remove crank disk and side covers.
5. Disconnect the tension cable from the flywheel/brake assembly.



6. Disconnect the nut that attaches the tension cable to the main frame.
7. Fish the new tension cable through the console mast.
8. Make sure that the tension knob is still set to the highest resistance level and attach the tension knob to the tension cable and secure to the console mast with screw.
9. Connect tension cable to the flywheel/brake assembly and adjust so that magnetic brake is position properly.
10. Adjust the tension knob from the lowest to highest resistance settings to ensure proper movement and position of the flywheel/brake assembly.