

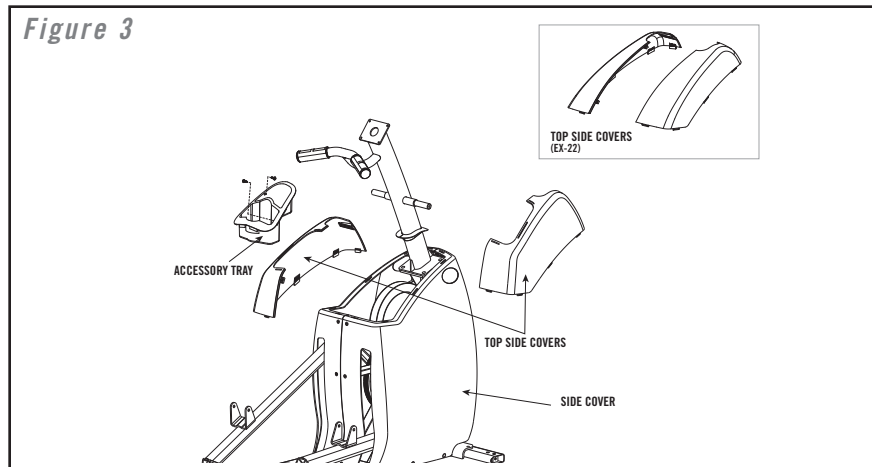
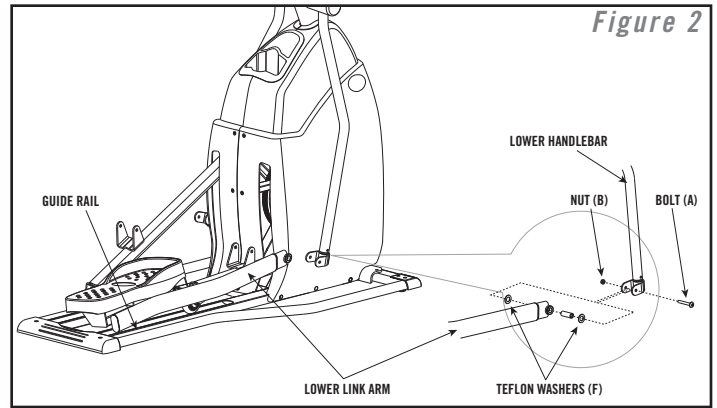
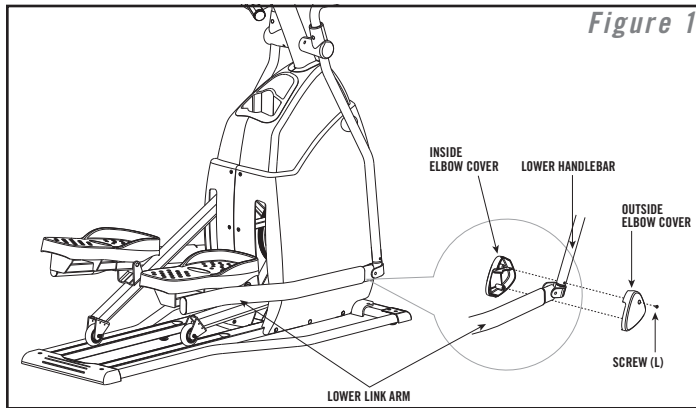
# Side Cover Replacement (EX-22, EX-33, EX-44, CSE 3.5, CSE 4.5, EG5)

**Tools Required:**

- Philips Screwdriver
- 13mm & 17mm Socket and Combination Wrenches
- 4mm & 5mm Allen Wrenches

**Procedure:**

- 1) For EX-44 and CSE 4.5 Only - Remove inside and outside elbow covers (Figure 1).
- 2) Remove Bolt (A) and Nut (B) connecting the link arm to the lower handlebar (Figure 2).



- 3) Remove accessory trays and top side covers. (Figure 3 Above)
- 4) Remove AC Adaptor receptacle from side cover if applicable. (Figures 4 & 5 Below)
- 5) Remove side covers.
- 6) Replace side covers and reverse steps 1-4.

