

Part Replacement | Ellipticals

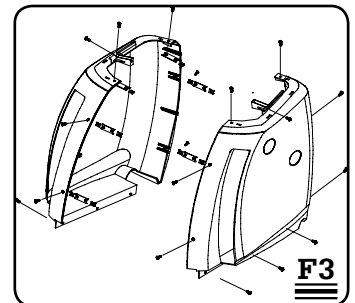
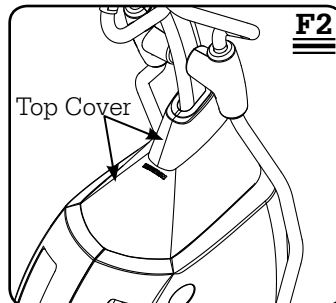
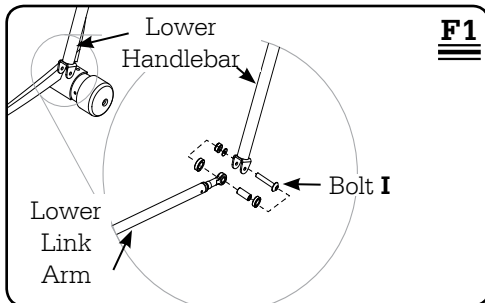
>> Pivot Tube | E500, E700, E800

Tools Required:

- Phillips Screwdriver
- 17mm Wrench
- 5mm Allen Wrench
- White Lithium Grease

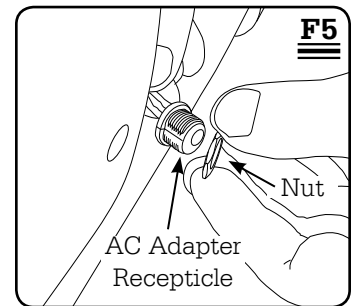
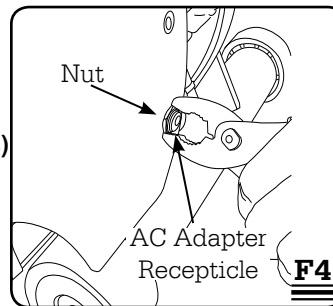
Procedure:

1 | Turn the unit off. Unplug the unit from the wall outlet.



Remove the Side Covers:

- 2 | Disconnect bolt (I) in order to disconnect the lower link arm from the lower handle bar. (F1)
- 3 | Using a 17mm wrench, remove the nut (A) that attaches the pedal arm to the pivot tube. Remove the pedal arm. (F6)
- 4 | Lift Up the top cover to expose 6 of the screws attaching the side covers to the frame. (F2)
- 5 | Using a screwdriver, remove screws attaching the side covers to the frame. (F3)
- 6 | Remove the ac adapter receptacle. (F4 & F5)
- 7 | Remove side covers to expose the pivot tube.



Replace Pivot Tube:

8 | Using the 5mm Allen wrench, remove the 5mm bolt that attaches the pivot tube to the crank arm.

Note: **J06** Washer may not be present when removing pivot tube. Be sure to attach **J06** when assembling new pivot tube. If the washer is not present with parts, contact Customer Tech Support. 800.244.4192.

Note: It is vital that you apply white lithium grease to the replacement pivot tube. (F7) Not applying the grease can cause the bearings in the pivot tube to prematurely fail.

