

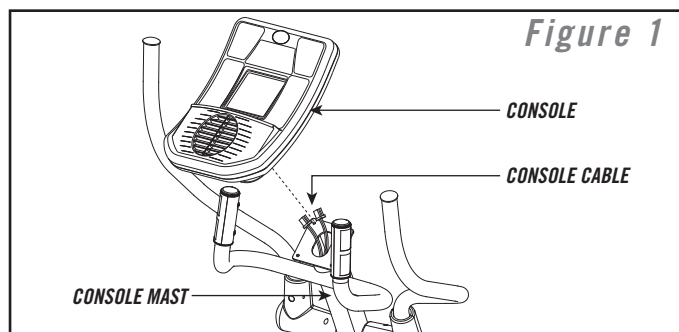
# Console Cable Replacement (2.2E, 3.2E, 4.2E)

## Tools Required:

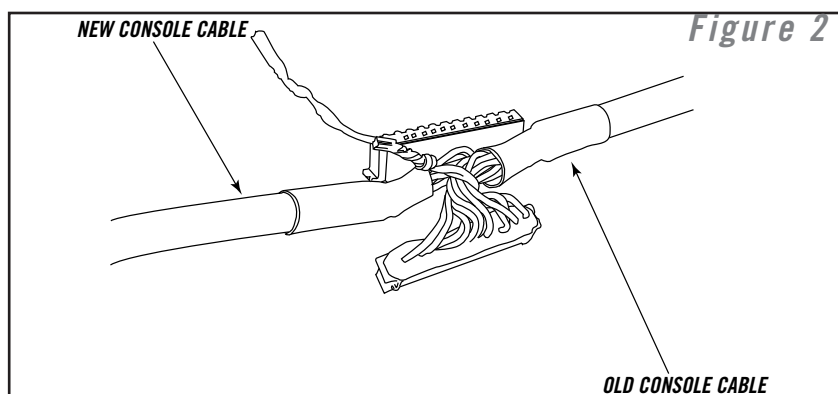
- Philips Screwdriver
- 14mm & 17mm Sockets and Combination Wrenches
- 5mm Allen Wrench
- Crank Puller

## Procedure:

- 1) Unplug power supply from elliptical.
- 2) Remove crank disk and side covers.
- 3) Disconnect console cable from the speed sensor, AC receptacle and servomotor.
- 4) Remove console from console mast and unplug the console cable and grip pulse wires from the console (Figure 1).



- 5) Attach the new console cable to the old console cable in order to fish the cable through the console mast (Figure 2).



**IMPORTANT**

*In order to fish the console cable easily, you may need to detach the screws that hold the water bottle bracket in place.*